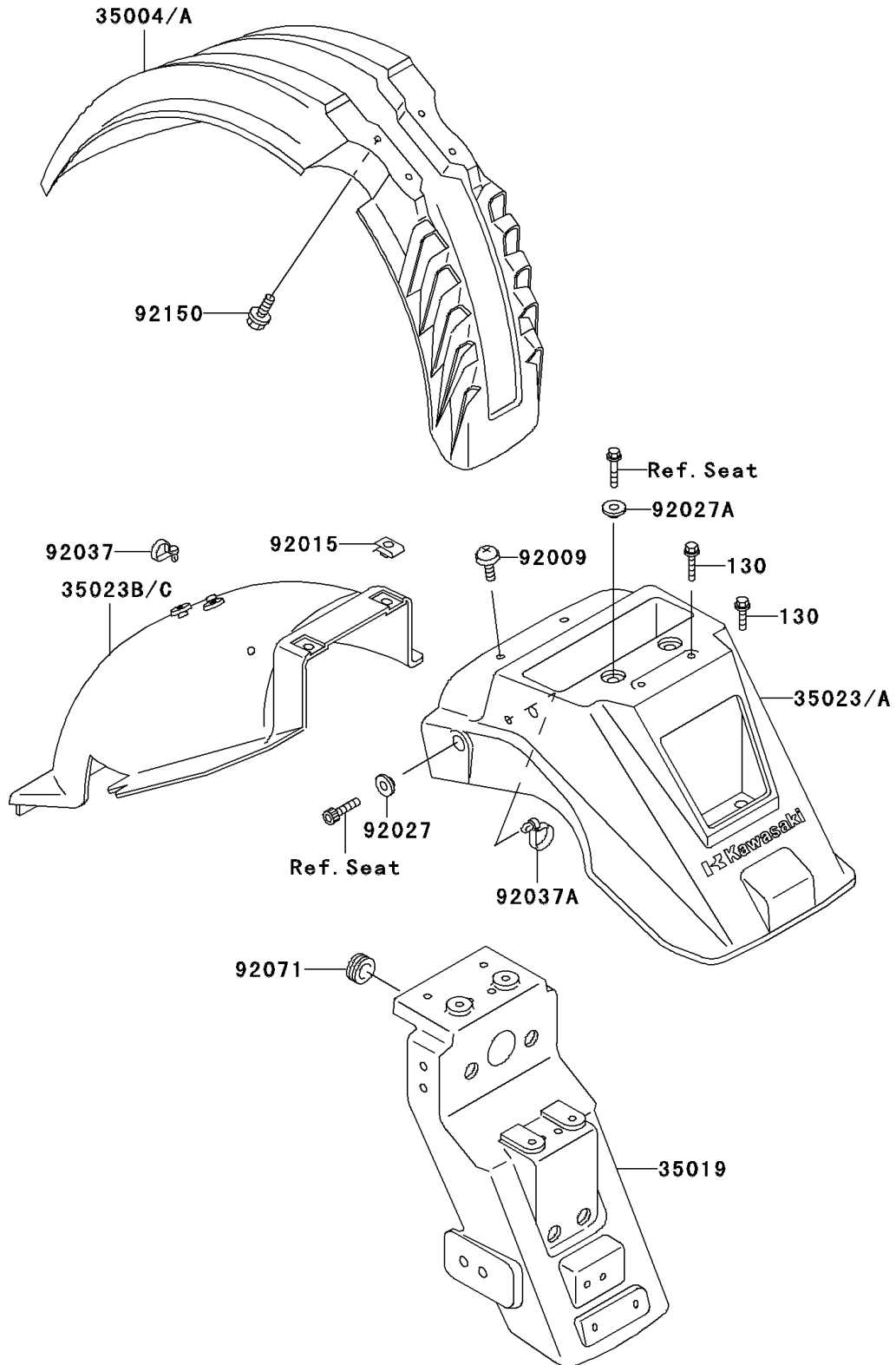


2000 KLR650 PARTS DIAGRAM

Fenders

F2170



2000 KLR650 PARTS LIST

Fenders

ITEM NAME	PART NUMBER	QUANTITY
BOLT-FLANGED,6X20 (Ref # 130)	130B0620	4
FENDER-FRONT,O.GREEN (Ref # 35004A)	35004-1394-68	1
FLAP,RR (Ref # 35019)	35019-1186	1
FENDER-REAR,RR,O.GREEN (Ref # 35023A)	35023-1180-68	1
SCREW,6X14 (Ref # 92009)	92009-1288	2
NUT,6MM (Ref # 92015)	92015-1602	2
COLLAR (Ref # 92027)	92027-1745	2
COLLAR (Ref # 92027A)	92027-1794	2
CLAMP,SPEED,L=58 (Ref # 92037)	92037-1163	2
CLAMP,SPEED,L=80.5 (Ref # 92037A)	92037-1903	1
GROMMET (Ref # 92071)	92071-1027	1
BOLT,6X20 (Ref # 92150)	92150-1339	4
FENDER-REAR,FR (Ref # 35023B)	35023-1432	1
FENDER-REAR,FR (Ref # 35023C)	35023-1433	1