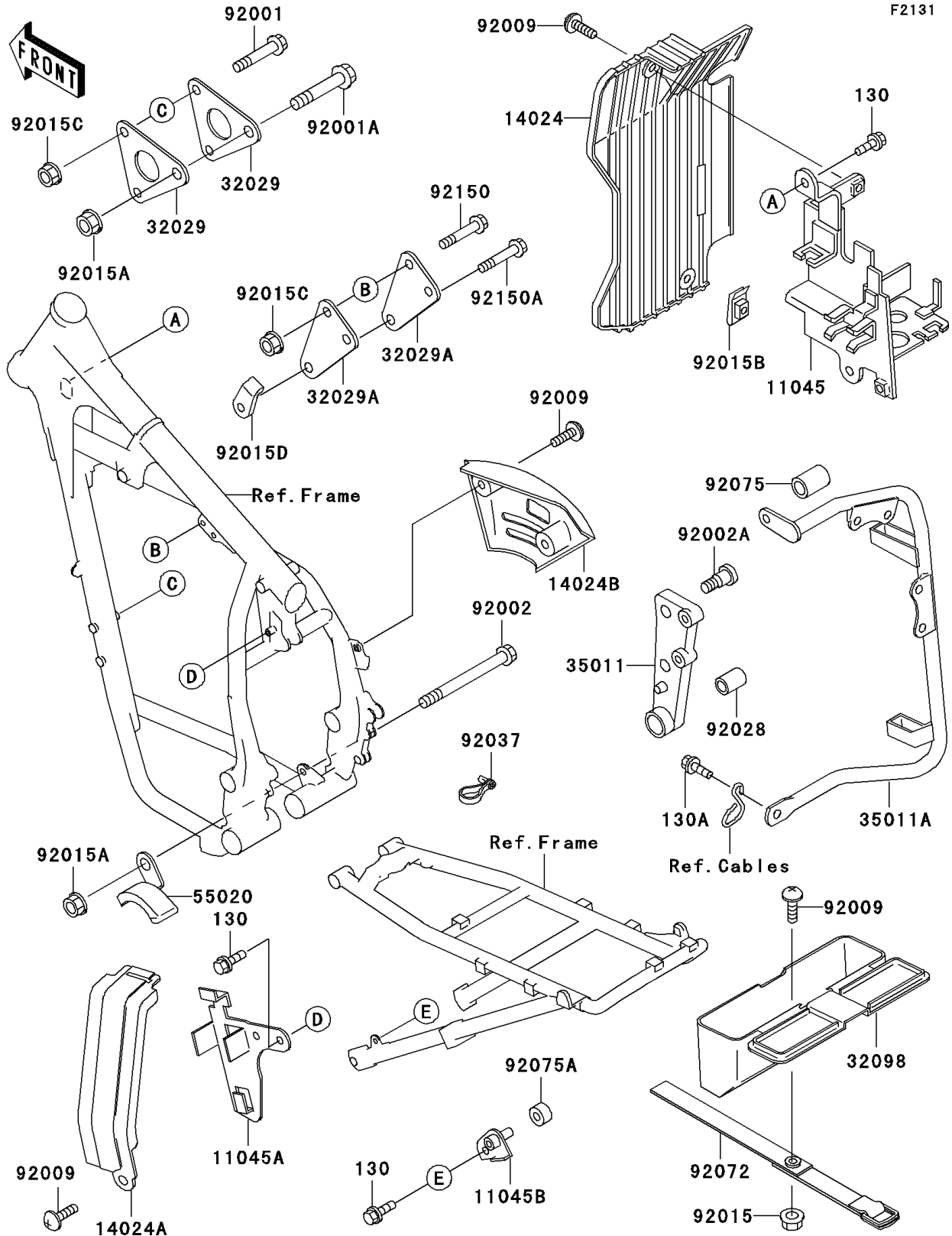


2000 KLR650 PARTS DIAGRAM

Frame Fittings



2000 KLR650 PARTS LIST

Frame Fittings

| ITEM NAME | PART NUMBER | QUANTITY |
|---|---------------|----------|
| BOLT-FLANGED (Ref # 130) | 130J0612 | 4 |
| BOLT-FLANGED,6X14,BLACK (Ref # 130A) | 130J0614 | 2 |
| BRACKET,ELECTRIC,RH (Ref # 11045) | 11045-1358 | 1 |
| BRACKET,ELECTRIC,LH (Ref # 11045A) | 11045-1359 | 1 |
| BRACKET (Ref # 11045B) | 11045-1360 | 1 |
| COVER,FRONT RESERVOIR (Ref # 14024) | 14024-1372 | 1 |
| COVER,SIDE STAND SWITCH (Ref # 14024A) | 14024-1373 | 1 |
| COVER,RESERVOIR TANK (Ref # 14024B) | 14024-1470 | 1 |
| BRACKET-ENGINE,FR (Ref # 32029) | 32029-1805 | 2 |
| BRACKET-ENGINE (Ref # 32029A) | 32029-1956 | 2 |
| CASE-TOOL,F.BLACK (Ref # 32098) | 32098-1074-6Z | 1 |
| STAY (Ref # 35011) | 35011-1327 | 1 |
| STAY,HORN&RESERVOIR TANK (Ref # 35011A) | 35011-1370 | 1 |
| GUARD,CHAIN (Ref # 55020) | 55020-1266 | 1 |
| BOLT,FLANGED,8X70 (Ref # 92001) | 92001-1583 | 2 |
| BOLT,10X75 (Ref # 92001A) | 92001-4021 | 1 |
| BOLT,10X145 (Ref # 92002) | 92002-1348 | 1 |
| BOLT,SOCKET,8X23.5 (Ref # 92002A) | 92002-1598 | 2 |
| SCREW,6X14 (Ref # 92009) | 92009-1288 | 7 |
| NUT,FLANGED,6MM,BLACK (Ref # 92015) | 92015-1233 | 1 |
| NUT,FLANGED,10MM (Ref # 92015A) | 92015-1415 | 2 |
| NUT,6MM (Ref # 92015B) | 92015-1602 | 1 |
| NUT,FLANGED,LOCK,8MM (Ref # 92015C) | 92015-1668 | 4 |
| NUT,PLATE,8MM (Ref # 92015D) | 92015-1673 | 1 |
| BUSHING (Ref # 92028) | 92028-1259 | 1 |
| CLAMP,SPEED,L=80.5 (Ref # 92037) | 92037-1903 | 1 |
| BAND,TOOL CASE (Ref # 92072) | 92072-1219 | 1 |
| DAMPER (Ref # 92075) | 92075-1941 | 1 |
| DAMPER (Ref # 92075A) | 92075-243 | 1 |

2000 KLR650 PARTS LIST

Frame Fittings

| ITEM NAME | PART NUMBER | QUANTITY |
|----------------------------------|--------------------|-----------------|
| BOLT,FLANGED,8X42 (Ref # 92150) | 92150-1415 | 2 |
| BOLT,FLANGED,8X42 (Ref # 92150A) | 92150-1925 | 1 |