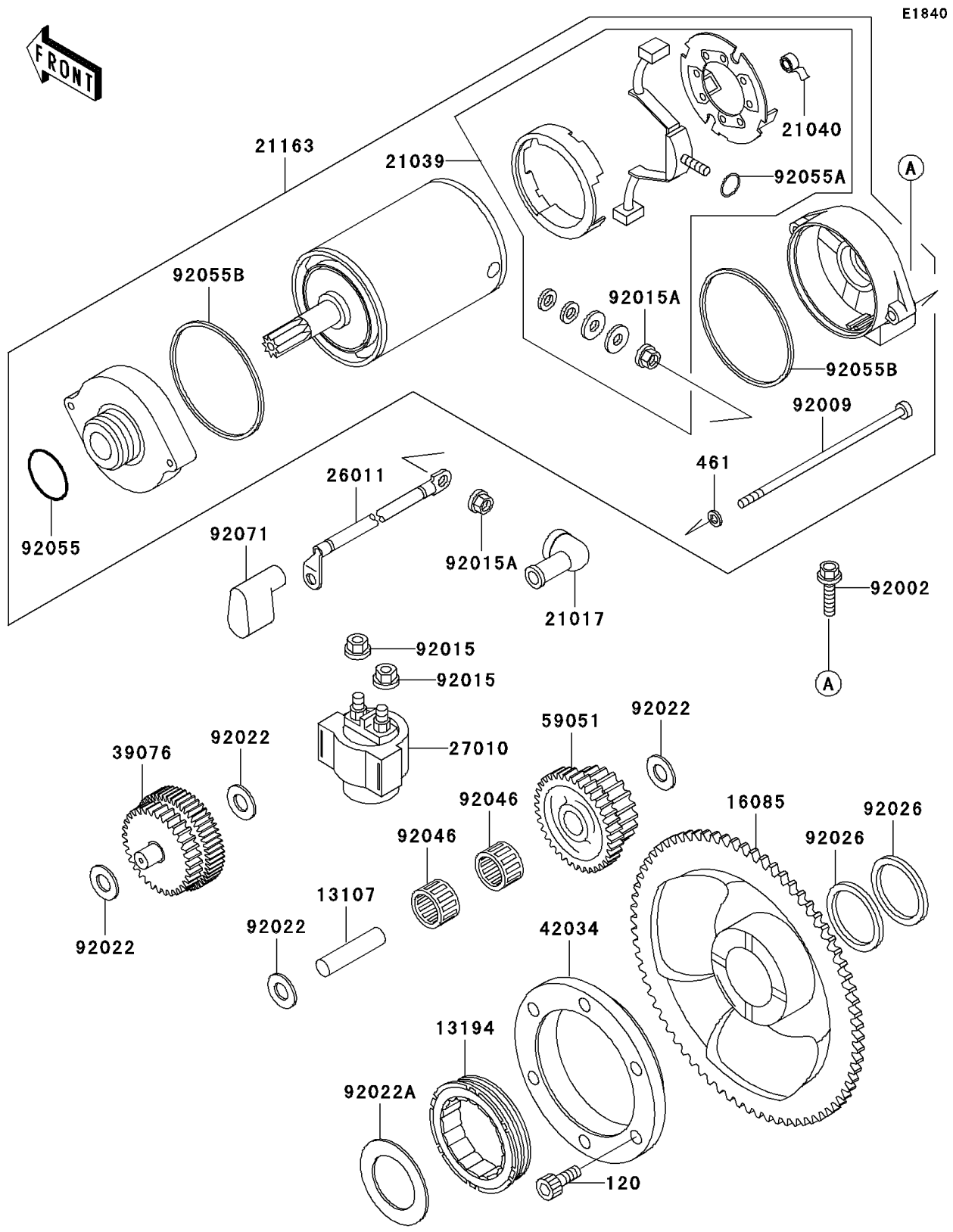


# 2000 KLR650 PARTS DIAGRAM

## Starter Motor



## 2000 KLR650 PARTS LIST

### Starter Motor

ITEM NAME	PART NUMBER	QUANTITY
BOLT-SOCKET (Ref # 120)	120P0818	6
WASHER-SPRING,5MM (Ref # 461)	461F0500	2
SHAFT,IDLER (Ref # 13107)	13107-1135	1
CLUTCH-ONEWAY (Ref # 13194)	13194-1089	1
GEAR,ONEWAY CLUTCH (Ref # 16085)	16085-1205	1
GROMMET,STARTER TERMINAL (Ref # 21017)	21017-017	1
BRUSH,CARBON (Ref # 21039)	21039-1060	1
SPRING-BRUSH (Ref # 21040)	21040-1055	4
STARTER-ELECTRIC (Ref # 21163)	21163-1108	1
WIRE-LEAD,STARTER MOTOR (Ref # 26011)	26011-1397	1
SWITCH,STARTER (Ref # 27010)	27010-1314	1
LIMITER,STARTER IDLE GEAR (Ref # 39076)	39076-1056	1
COUPLING (Ref # 42034)	42034-1094	1
GEAR-SPUR,20T & 37T (Ref # 59051)	59051-1133	1
BOLT,6X25 (Ref # 92002)	92002-1086	2
SCREW (Ref # 92009)	92009-1369	2
NUT,FLANGED,6MM (Ref # 92015)	92015-1193	2
NUT,STARTER MOTOR (Ref # 92015A)	92015-1476	2
WASHER,10.2X20X0.5 (Ref # 92022)	92022-1649	4
WASHER,32.2X50X1.0 (Ref # 92022A)	92022-1650	1
SPACER (Ref # 92026)	92026-1474	2
BEARING-NEEDLE,K10X14X10 (Ref # 92046)	92046-1134	2
RING-O (Ref # 92055)	92055-1276	1
RING-O,4.5X2.0 (Ref # 92055A)	92055-1370	1
RING-O,STARTER MOTOR (Ref # 92055B)	92055-1381	2
GROMMET,TERMINAL (Ref # 92071)	92071-1130	1