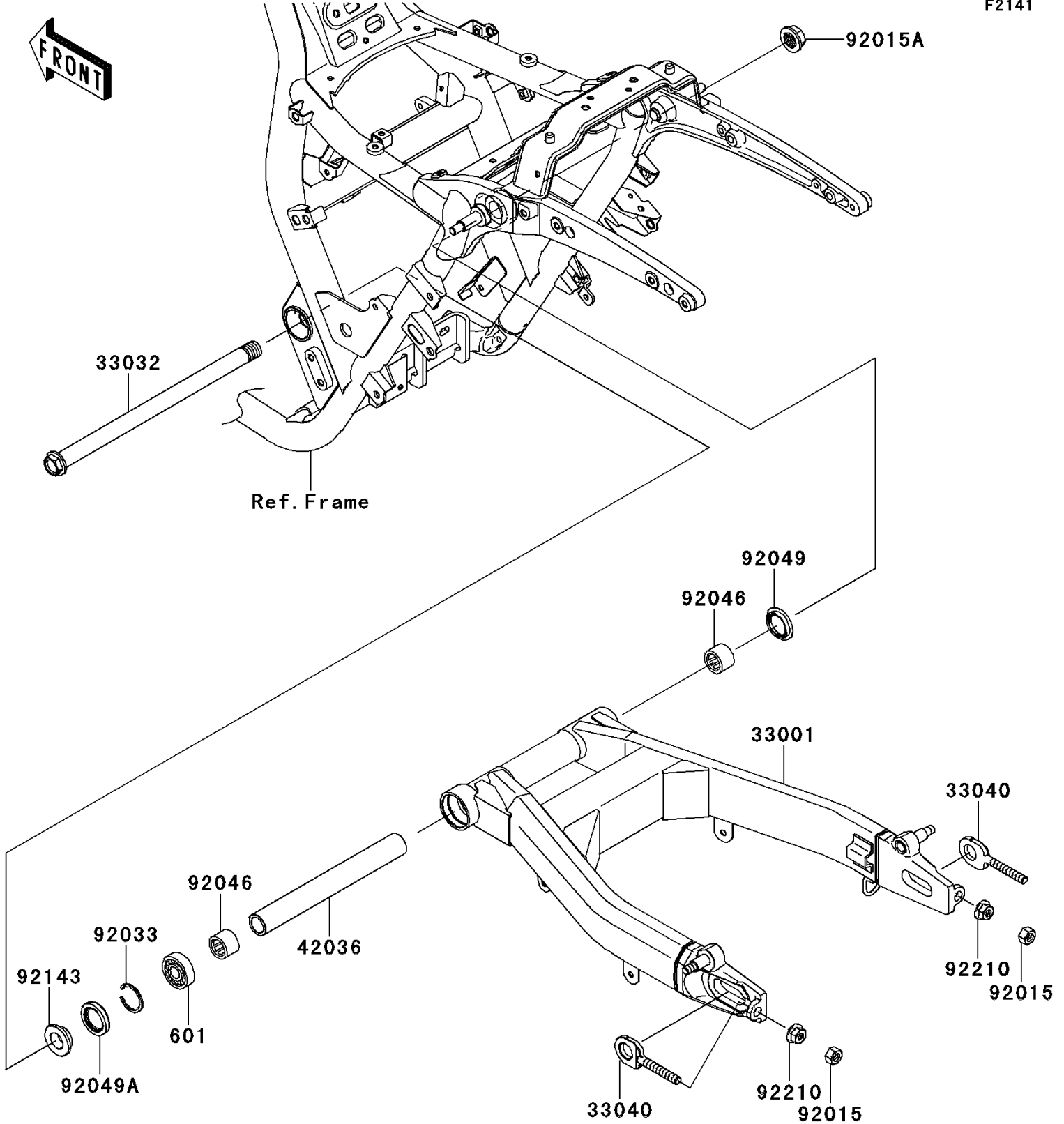


# 2013 VULCAN® 1700 VOYAGER® PARTS DIAGRAM

Swingarm

F2141



## 2013 VULCAN® 1700 VOYAGER® PARTS LIST

### Swingarm

| ITEM NAME                                | PART NUMBER    | QUANTITY |
|--|----------------|----------|
| BEARING-BALL,#6004 (Ref # 601)           | 601A6004       | 1        |
| ARM-COMP-SWING,F.S.BLACK (Ref # 33001)   | 33001-0205-18R | 1        |
| SHAFT-SWING ARM (Ref # 33032)            | 33032-0031     | 1        |
| ADJUSTER-CHAIN (Ref # 33040)             | 33040-0005     | 2        |
| SLEEVE,SWING ARM,L=235.5 (Ref # 42036)   | 42036-0059     | 1        |
| NUT,LOCK,10MM (Ref # 92015)              | 92015-1494     | 2        |
| NUT,FLANGED,20MM (Ref # 92015A)          | 92015-1724     | 1        |
| RING-SNAP,42MM (Ref # 92033)             | 92033-1041     | 1        |
| BEARING-NEEDLE,BM2824 (Ref # 92046)      | 92046-1202     | 2        |
| SEAL-OIL (Ref # 92049)                   | 92049-1181     | 1        |
| SEAL-OIL,TC28426.5 (Ref # 92049A)        | 92049-1185     | 1        |
| COLLAR,SWING ARM,RH,L=12.5 (Ref # 92143) | 92143-1727     | 1        |
| NUT,FLANGED,10MM (Ref # 92210)           | 92210-0349     | 2        |