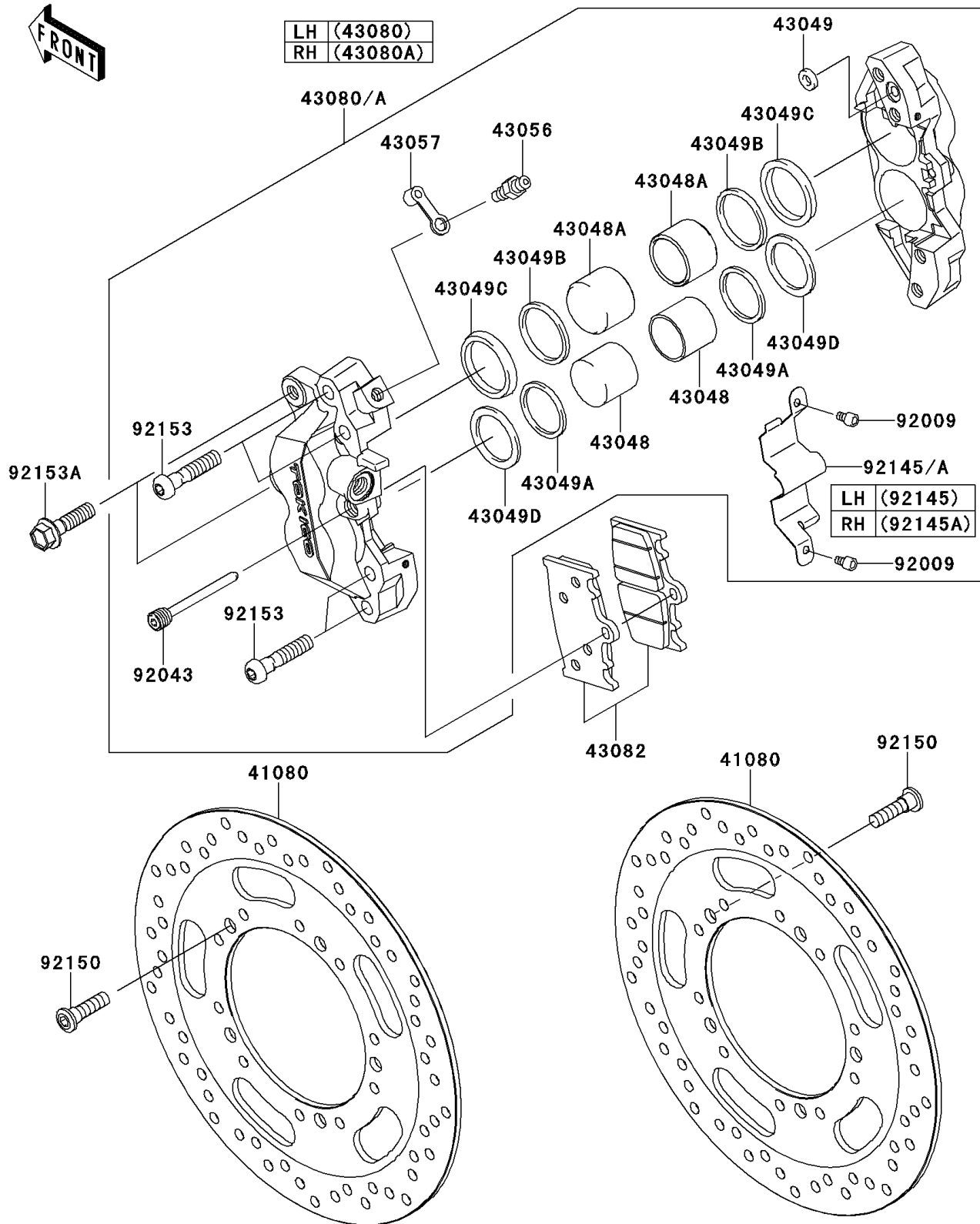


## 2012 VULCAN® 1700 VAQUERO® PARTS DIAGRAM

Front Brake

F2292



## 2012 VULCAN® 1700 VAQUERO® PARTS LIST

### Front Brake

ITEM NAME	PART NUMBER	QUANTITY
DISC,FR,BLACK (Ref # 41080)	41080-0181-11H	1
PISTON-CALIPER,DIA=26.97 (Ref # 43048)	43048-1078	1
PISTON-CALIPER,DIA=30.2 (Ref # 43048A)	43048-1098	1
PACKING,SEAL,6.5X11.5X2.2 (Ref # 43049)	43049-1004	1
PACKING,PISTON (Ref # 43049A)	43049-1055	1
PACKING (Ref # 43049B)	43049-1068	1
PACKING,PISTON SEAL (Ref # 43049C)	43049-1092	1
PACKING,PISTON SEAL (Ref # 43049D)	43049-1096	1
BREATHER-BRAKE (Ref # 43056)	43056-0007	1
CAP-BREATHER (Ref # 43057)	43057-003	1
CALIPER-SUB-ASSY,FR,LH,BLACK (Ref # 43080)	43080-0073-DJ	1
CALIPER-SUB-ASSY,FR,RH,BLACK (Ref # 43080A)	43080-0074-DJ	1
PAD-ASSY-BRAKE (Ref # 43082)	43082-0016	1
BOLT,SOCKET,4X6 (Ref # 92009)	92009-1758	1
PIN,PAD (Ref # 92043)	92043-1683	1
SPRING,COVER (Ref # 92145)	92145-1503	1
SPRING,COVER,RH (Ref # 92145A)	92145-1504	1
BOLT,SOCKET,8X30 (Ref # 92150)	92150-1771	1
BOLT,SOCKET,8X40 (Ref # 92153)	92153-0360	1
BOLT,FLANGED,8X30 (Ref # 92153A)	92153-1089	1