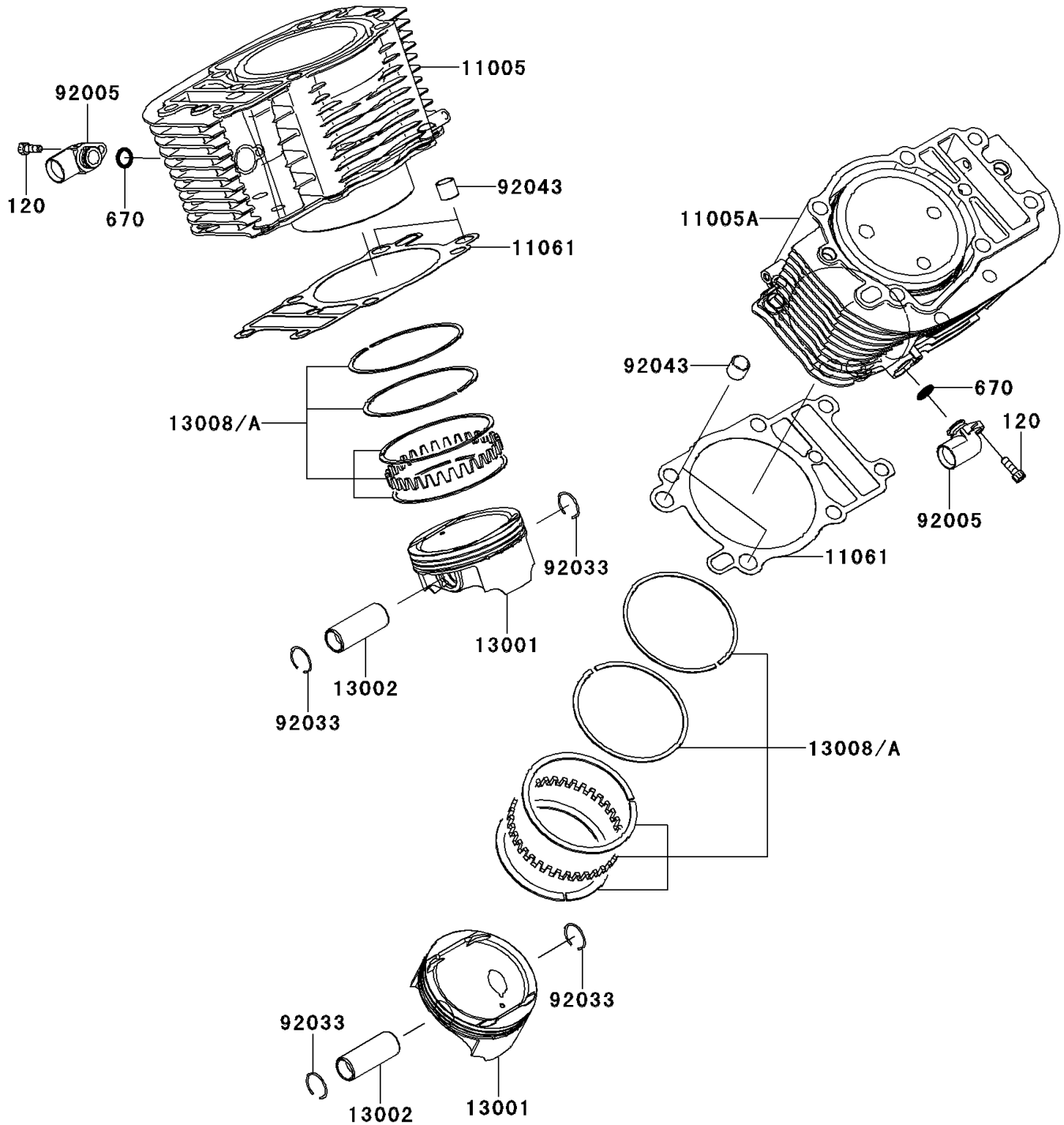


# 2009 Vulcan 1700 Voyager ABS PARTS DIAGRAM

Cylinder/Piston(s)

E1120



## 2009 Vulcan 1700 Voyager ABS PARTS LIST

Cylinder/Piston(s)

| ITEM NAME                          | PART NUMBER | QUANTITY |
|------------------------------------|-------------|----------|
| BOLT-SOCKET,6X18 (Ref # 120)       | 120CB0618   | 2        |
| O RING,15MM (Ref # 670)            | 670B2015    | 2        |
| CYLINDER-ENGINE,FR (Ref # 11005)   | 11005-0103  | 1        |
| CYLINDER-ENGINE,RR (Ref # 11005A)  | 11005-0104  | 1        |
| GASKET,CYLINDER BASE (Ref # 11061) | 11061-0335  | 2        |
| PISTON-ENGINE (Ref # 13001)        | 13001-0124  | 2        |
| PIN-PISTON (Ref # 13002)           | 13002-0023  | 2        |
| RING-SET-PISTON,STD (Ref # 13008A) | 13008-1218  | 2        |
| FITTING (Ref # 92005)              | 92005-0098  | 2        |
| RING-SNAP (Ref # 92033)            | 92033-3721  | 4        |
| PIN,13X16X14 (Ref # 92043)         | 92043-1608  | 4        |