

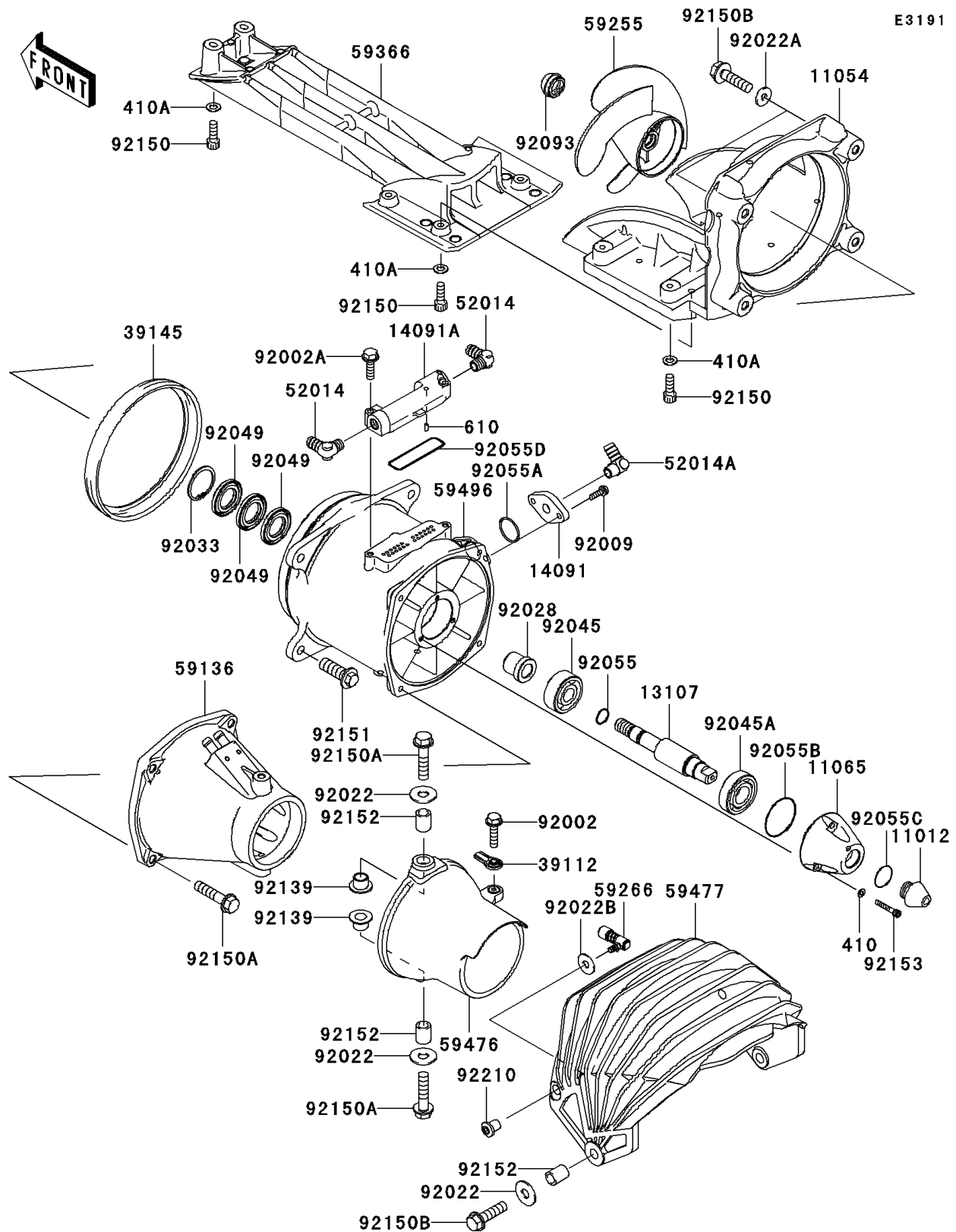
2008 Ultra 250X

PARTS DIAGRAM

Jet Pump

Kawasaki

Let the Good Times Roll®



2008 Ultra 250X

PARTS LIST

Jet Pump

| ITEM NAME | PART NUMBER | QUANTITY |
|---------------------------------------|-------------|----------|
| CAP (Ref # 11012) | 11012-3786 | 1 |
| BRACKET,JET PUMP (Ref # 11054) | 11054-3709 | 1 |
| CAP (Ref # 11065) | 11065-3733 | 1 |
| SHAFT,JET PUMP (Ref # 13107) | 13107-3788 | 1 |
| COVER,COOLING TUBE (Ref # 14091) | 14091-3808 | 1 |
| COVER,VANE GUIDE (Ref # 14091A) | 14091-3817 | 1 |
| RODEND-TIE (Ref # 39112) | 39112-3703 | 1 |
| TRIM-SEAL,VANE GUIDE (Ref # 39145) | 39145-3799 | 1 |
| ELBOW (Ref # 52014) | 52014-3711 | 2 |
| ELBOW (Ref # 52014A) | 52014-3727 | 1 |
| NOZZLE-PUMP (Ref # 59136) | 59136-3764 | 1 |
| IMPELLER-COMP (Ref # 59255) | 59255-3735 | 1 |
| JOINT-BALL (Ref # 59266) | 59266-3710 | 1 |
| GRATE (Ref # 59366) | 59366-3723 | 1 |
| NOZZLE-STRG (Ref # 59476) | 59476-3744 | 1 |
| BUCKET-REVERSE (Ref # 59477) | 59477-3712 | 1 |
| VANE-GUIDE (Ref # 59496) | 59496-3757 | 1 |
| BOLT,6X25 (Ref # 92002) | 92002-3714 | 1 |
| BOLT,6X30 (Ref # 92002A) | 92002-3726 | 2 |
| SCREW,6X20 (Ref # 92009) | 92009-3848 | 2 |
| WASHER,PLAIN (Ref # 92022) | 92022-3026 | 4 |
| WASHER,8.4X23X2.5 (Ref # 92022A) | 92022-3744 | 2 |
| WASHER (Ref # 92022B) | 92022-567 | 1 |
| BUSHING (Ref # 92028) | 92028-3773 | 1 |
| RING-SNAP (Ref # 92033) | 92033-3730 | 1 |
| BEARING-BALL,6303R-6 (Ref # 92045) | 92045-3740 | 1 |
| BEARING-BALL,62/22 2RS (Ref # 92045A) | 92045-3743 | 1 |
| SEAL-OIL (Ref # 92049) | 92049-3739 | 3 |
| RING-O,13.0X1.9 (Ref # 92055) | 92055-1011 | 1 |

2008 Ultra 250X

PARTS LIST

Jet Pump

| ITEM NAME | PART NUMBER | QUANTITY |
|--------------------------------------|-------------|----------|
| RING-O,27.7X1.9 (Ref # 92055A) | 92055-1272 | 1 |
| RING-O (Ref # 92055B) | 92055-3741 | 1 |
| RING-O (Ref # 92055C) | 92055-3744 | 1 |
| RING-O,70.2X74.0X1.90 (Ref # 92055D) | 92055-3765 | 1 |
| SEAL (Ref # 92093) | 92093-3749 | 1 |
| BUSHING (Ref # 92139) | 92139-3701 | 2 |
| BOLT,SOCKET,6X18 (Ref # 92150) | 92150-3775 | 10 |
| BOLT,8X35 (Ref # 92150A) | 92150-3792 | 6 |
| BOLT,FLANGED,8X30 (Ref # 92150B) | 92150-3803 | 4 |
| BOLT,10X30 (Ref # 92151) | 92151-3706 | 4 |
| COLLAR,8.2X11.8X15 (Ref # 92152) | 92152-3703 | 4 |
| W-PLAIN-S,5MM (Ref # 410) | 410S0500 | 3 |
| WASHER-PLAIN-SMALL,6MM (Ref # 410A) | 410S0600 | 10 |
| ROLLER,4X8 (Ref # 610) | 610A0408 | 1 |
| BOLT,SOCKET,5X30 (Ref # 92153) | 92153-3742 | 3 |
| NUT,6MM (Ref # 92210) | 92210-3789 | 1 |