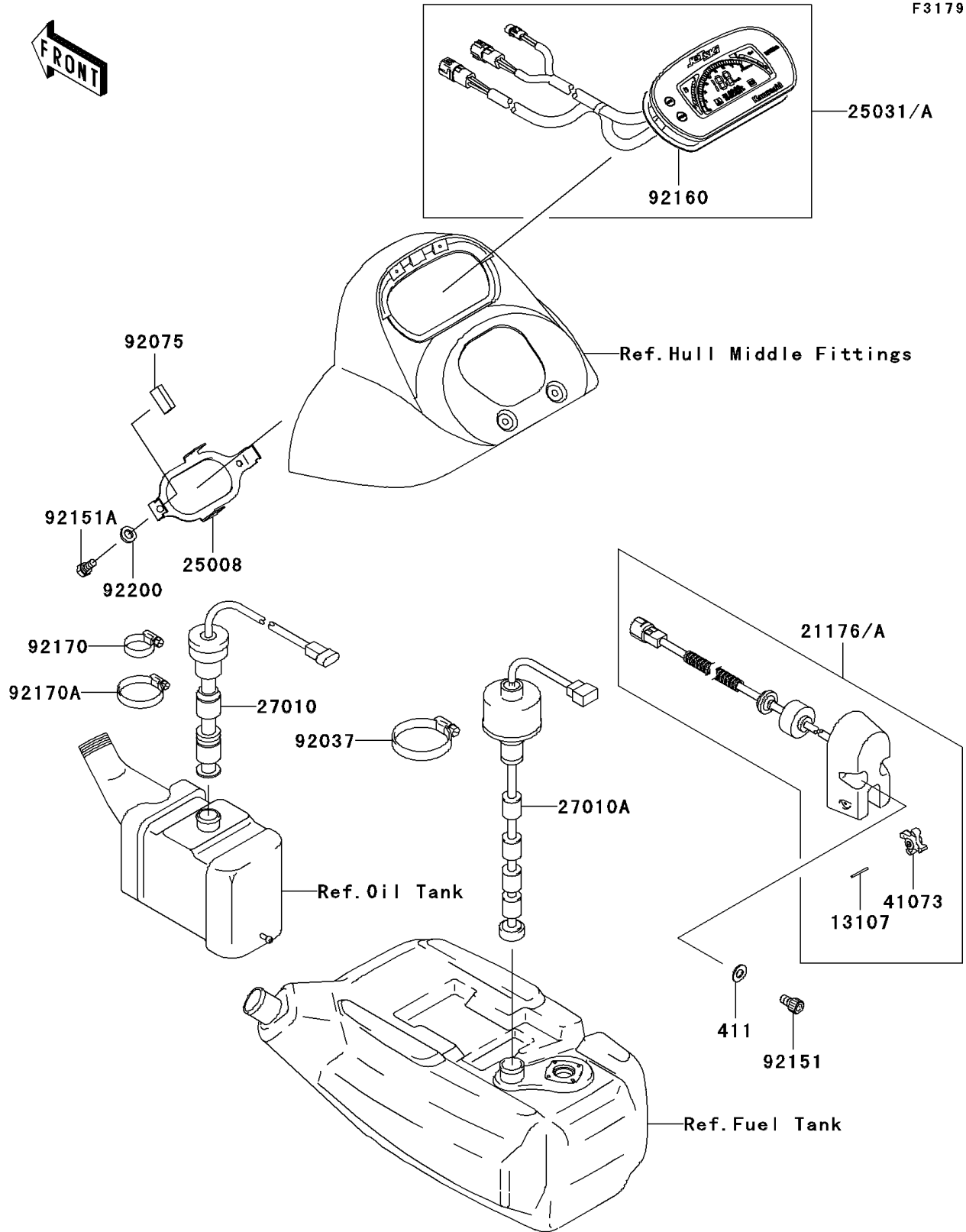


## 2004 1200 STX-R PARTS DIAGRAM

Meters



## 2004 1200 STX-R PARTS LIST

Meters

ITEM NAME	PART NUMBER	QUANTITY
WASHER-PLAIN,6MM (Ref # 411)	411S0600	1
SHAFT (Ref # 13107)	13107-3754	1
SENSOR,SPEEDOMETER,J.WHITE (Ref # 21176A)	21176-3749-8U	1
BRACKET-METER (Ref # 25008)	25008-3709	1
SWITCH,OIL LEVEL (Ref # 27010)	27010-3753	1
SWITCH,FUEL LEVEL (Ref # 27010A)	27010-3770	1
WHEEL-ASSY,PADDLE (Ref # 41073)	41073-3701	1
CLAMP (Ref # 92037)	92037-3009	1
DAMPER (Ref # 92075)	92075-1446	1
BOLT,6X10 (Ref # 92151)	92151-3704	1
BOLT,5X10 (Ref # 92151A)	92151-3707	1
DAMPER,METER (Ref # 92160)	92160-3881	1
CLAMP (Ref # 92170)	92170-3718	1
CLAMP (Ref # 92170A)	92170-3734	1
WASHER,5.9X16X1.5 (Ref # 92200)	92200-3714	1
METER-ASSY,MILE (Ref # 25031)	25031-3747	1
METER-ASSY,KM (Ref # 25031A)	25031-3748	1