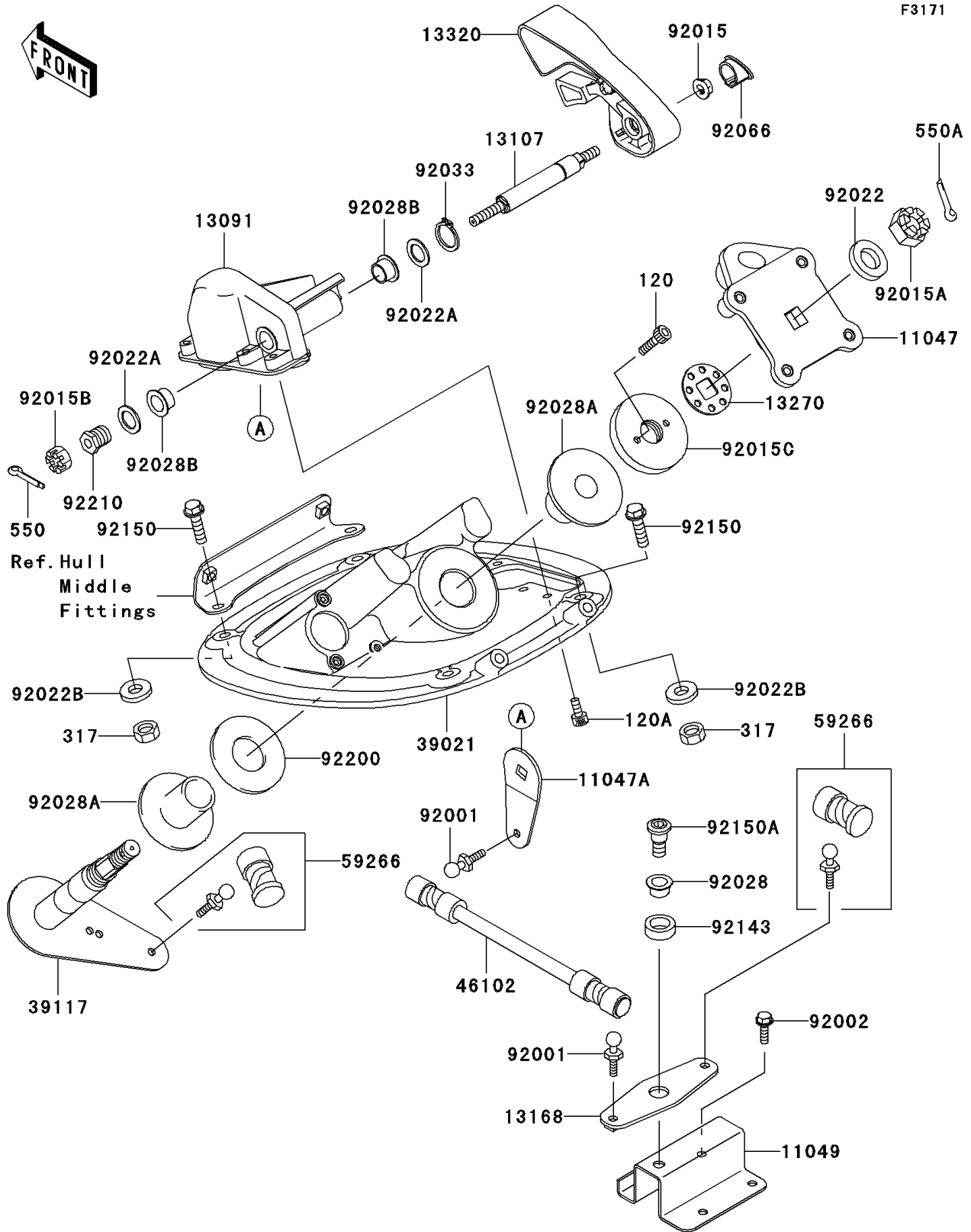


2003 1100 STX D.I. PARTS DIAGRAM

Handle Pole



2003 1100 STX D.I. PARTS LIST

Handle Pole

ITEM NAME	PART NUMBER	QUANTITY
BOLT-SOCKET,5X10 (Ref # 120)	120R0510	2
BOLT-SOCKET,6X16,BLACK (Ref # 120A)	120S0616	4
NUT-HEX-SMALL (Ref # 317)	317R0800	4
PIN-COTTER (Ref # 550)	550S2020	1
PIN-COTTER,3X35 (Ref # 550A)	550S3035	1
BRACKET,HANDLE HOLDER (Ref # 11047)	11047-3759	1
BRACKET,STEERING LEVER (Ref # 11047A)	11047-3790	1
BRACKET,REVERSE (Ref # 11049)	11049-3762	1
HOLDER (Ref # 13091)	13091-3809	1
SHAFT (Ref # 13107)	13107-3751	1
LEVER,REVERSE (Ref # 13168)	13168-3739	1
PLATE,STEERING NUT (Ref # 13270)	13270-3808	1
LEVER-ASSY,REVERSE (Ref # 13320)	13320-3716	1
BRACKET-HANDLE POLE (Ref # 39021)	39021-3712	1
SHAFT-STRG (Ref # 39117)	39117-3713	1
ROD (Ref # 46102)	46102-3723	1
JOINT-BALL (Ref # 59266)	59266-3707	2
BOLT,BALL,6MM (Ref # 92001)	92001-3703	2
BOLT,6X20 (Ref # 92002)	92002-3755	1
NUT,FLANGED,8MM (Ref # 92015)	92015-3709	1
NUT,CASTLE,14MM (Ref # 92015A)	92015-3805	1
NUT,CASTLE,8MM (Ref # 92015B)	92015-3813	1
NUT,STEERING,20MM (Ref # 92015C)	92015-3854	1
WASHER,15X34X2.0 (Ref # 92022)	92022-3738	1
WASHER,15.5X24X1.5 (Ref # 92022A)	92022-3739	2
WASHER,8.4X23X2.5 (Ref # 92022B)	92022-3744	4
BUSHING (Ref # 92028)	92028-3740	1
BUSHING,STEERING (Ref # 92028A)	92028-3748	2
BUSHING (Ref # 92028B)	92028-3755	2

2003 1100 STX D.I. PARTS LIST

Handle Pole

ITEM NAME	PART NUMBER	QUANTITY
RING-SNAP,15MM (Ref # 92033)	92033-3710	1
PLUG,REVERSE LEVER (Ref # 92066)	92066-3761	1
COLLAR,16X24X8 (Ref # 92143)	92143-3768	1
BOLT,FLANGED,8X30 (Ref # 92150)	92150-3803	4
BOLT (Ref # 92150A)	92150-3827	1
WASHER,32.5X70X2 (Ref # 92200)	92200-3718	1
NUT,8MM (Ref # 92210)	92210-3703	1