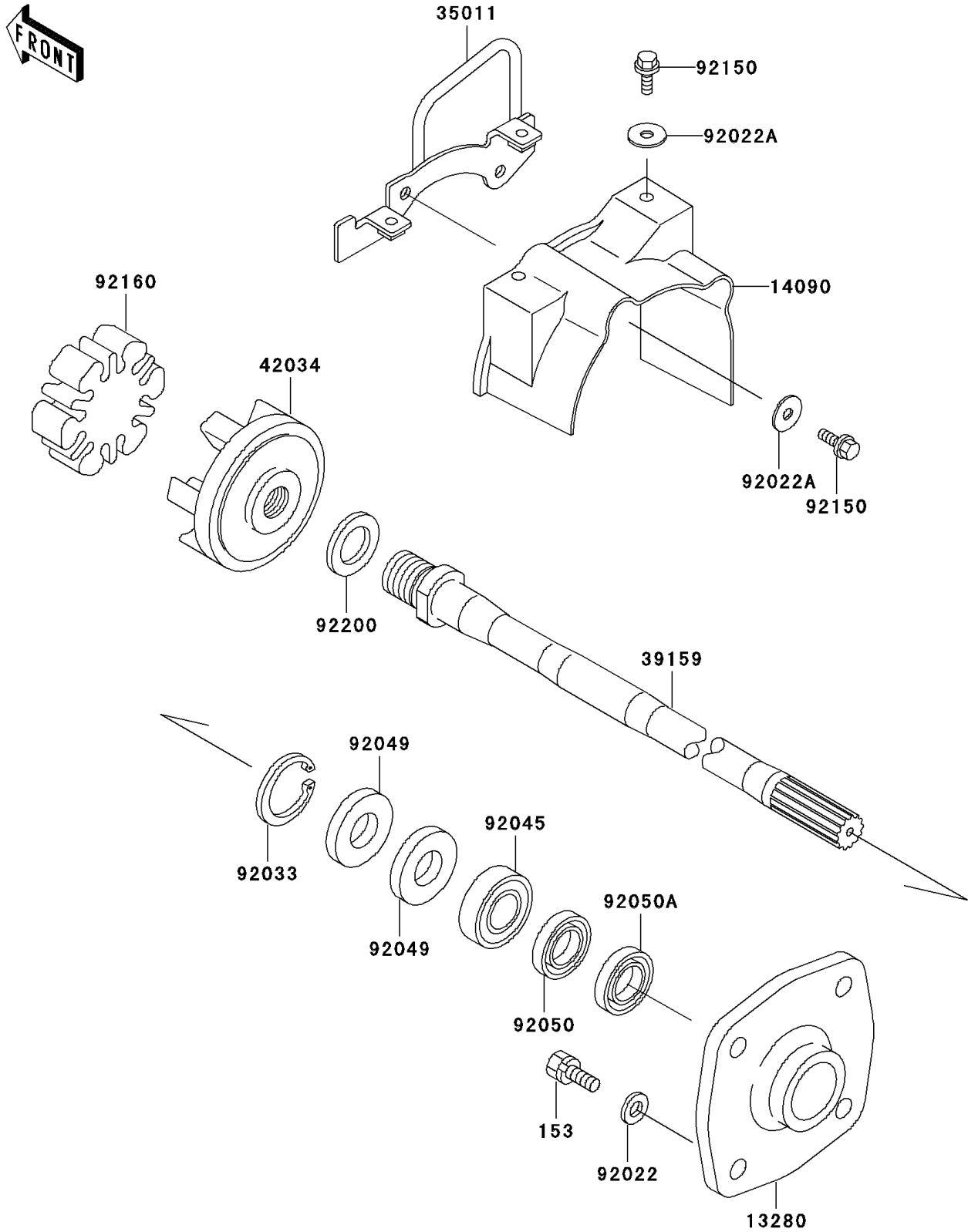


## 2003 1100 STX D.I. PARTS DIAGRAM

Drive Shaft

E3134



## 2003 1100 STX D.I. PARTS LIST

Drive Shaft

| ITEM NAME                          | PART NUMBER | QUANTITY |
|------------------------------------|-------------|----------|
| BOLT-WS-SMALL (Ref # 153)          | 153R0830    | 1        |
| HOLDER (Ref # 13280)               | 13280-3730  | 1        |
| COVER,COUPLING (Ref # 14090)       | 14090-3789  | 1        |
| STAY (Ref # 35011)                 | 35011-3715  | 1        |
| SHAFT-DRIVE (Ref # 39159)          | 39159-3732  | 1        |
| COUPLING (Ref # 42034)             | 42034-3709  | 1        |
| WASHER,8.2X18X1.5 (Ref # 92022)    | 92022-1964  | 1        |
| WASHER,6.5X20X1.5 (Ref # 92022A)   | 92022-3710  | 1        |
| RING-SNAP,42MM (Ref # 92033)       | 92033-3713  | 1        |
| BEARING-BALL,60042RD (Ref # 92045) | 92045-3705  | 1        |
| SEAL-OIL,S620426 (Ref # 92049)     | 92049-3707  | 1        |
| SEAL-OIL,SCY20368 (Ref # 92050)    | 92050-502   | 1        |
| SEAL-OIL,SC20367 (Ref # 92050A)    | 92050-503   | 1        |
| BOLT,6X18 (Ref # 92150)            | 92150-3729  | 1        |
| DAMPER,COUPLING (Ref # 92160)      | 92160-3883  | 1        |
| WASHER,24X32X2.0 (Ref # 92200)     | 92200-3739  | 1        |