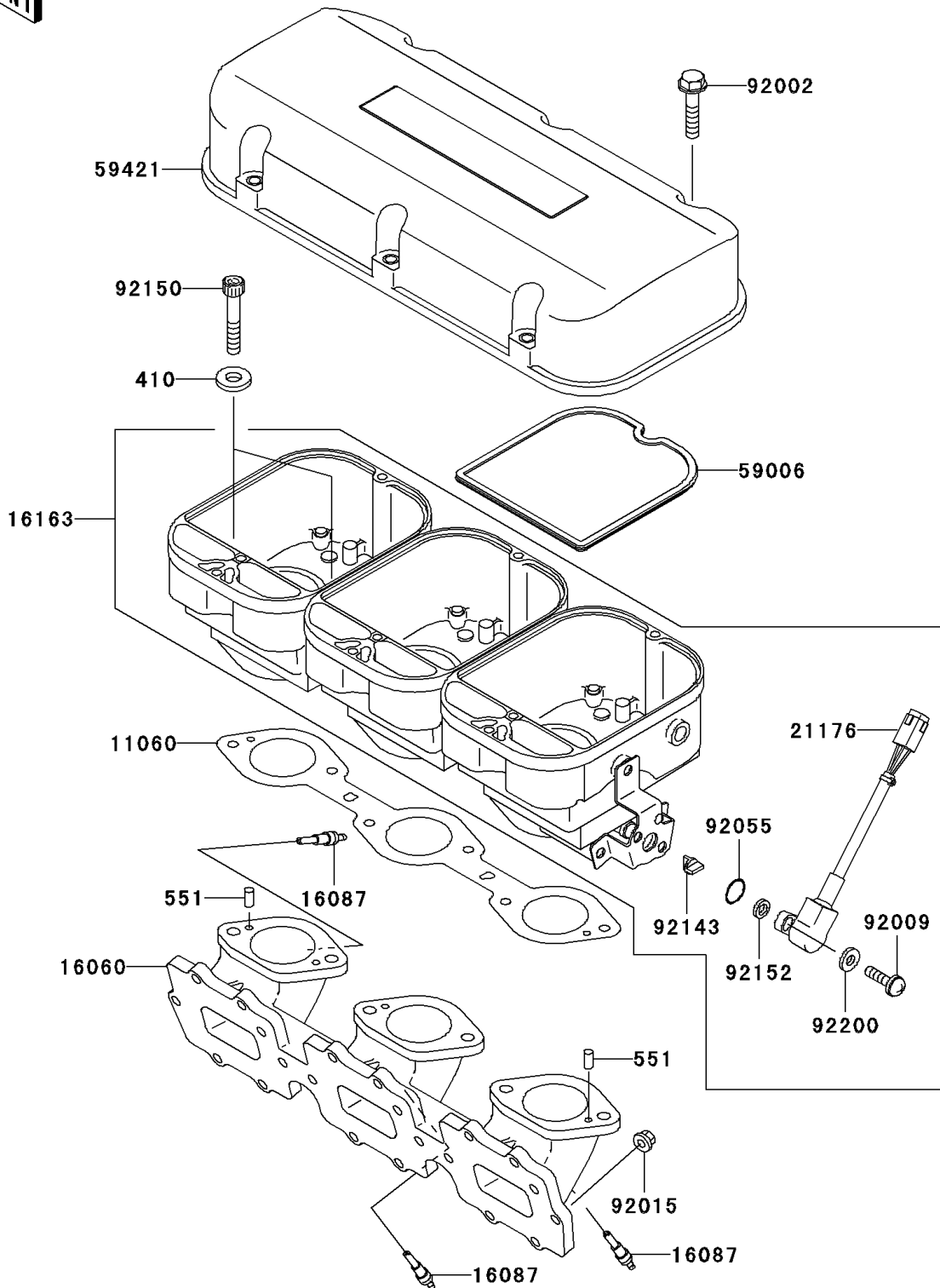


2003 1100 STX D.I. PARTS DIAGRAM

Throttle

E1510



2003 1100 STX D.I. PARTS LIST

Throttle

ITEM NAME	PART NUMBER	QUANTITY
WASHER-PLAIN-SMALL,6MM (Ref # 410)	410S0600	1
PIN-DOWEL (Ref # 551)	551R0408	1
GASKET,CARBURETOR (Ref # 11060)	11060-3753	1
PIPE-INTAKE (Ref # 16060)	16060-3719	1
VALVE-CHECK (Ref # 16087)	16087-3713	1
THROTTLE-ASSY (Ref # 16163)	16163-3705	1
SENSOR (Ref # 21176)	21176-3743	1
ARRESTER-FLAME (Ref # 59006)	59006-3716	1
COVER-INTAKE (Ref # 59421)	59421-3729	1
BOLT,6X30 (Ref # 92002)	92002-3726	1
SCREW,SENSOR (Ref # 92009)	92009-3863	1
NUT,6MM (Ref # 92015)	92015-3767	1
RING-O,SENSOR (Ref # 92055)	92055-1574	1
COLLAR (Ref # 92143)	92143-1907	1
BOLT,SOCKET,6X35 (Ref # 92150)	92150-1887	1
COLLAR,SENSOR (Ref # 92152)	92152-3721	1
WASHER (Ref # 92200)	92200-3782	1