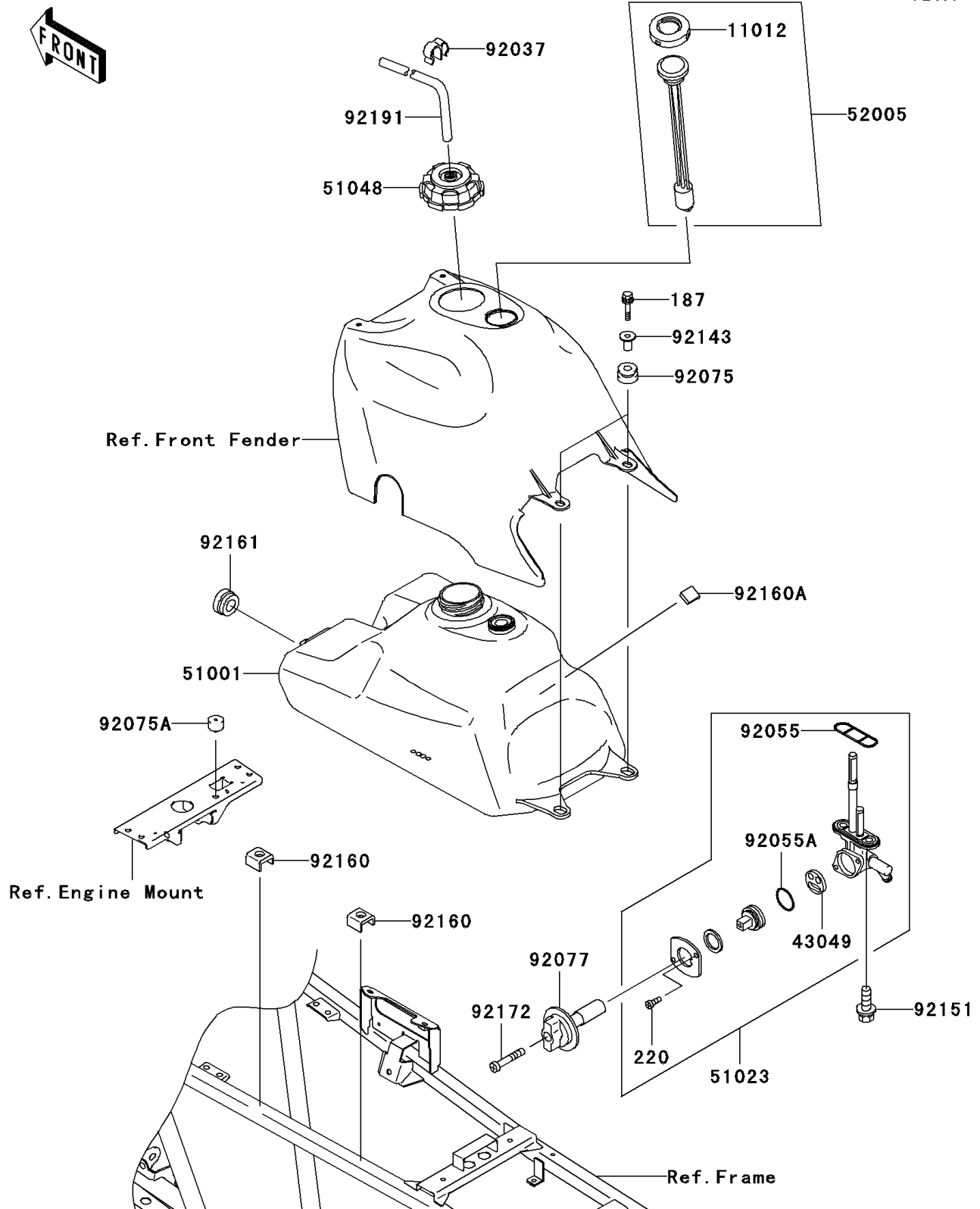


2003 Prairie 360 4X4 Advantage Classic PARTS DIAGRAM

Fuel Tank

F2410



2003 Prairie 360 4X4 Advantage Classic PARTS LIST

Fuel Tank

| ITEM NAME | PART NUMBER | QUANTITY |
|---------------------------------------|-------------|----------|
| BOLT-UPSET-WSP (Ref # 187) | 187G0635 | 2 |
| SCREW-PAN-CROS (Ref # 220) | 220B0308 | 2 |
| CAP,FUEL GAUGE (Ref # 11012) | 11012-1627 | 1 |
| PACKING,TAP VALVE (Ref # 43049) | 43049-1091 | 1 |
| TANK-COMP-FUEL (Ref # 51001) | 51001-7502 | 1 |
| TAP-ASSY,FUEL (Ref # 51023) | 51023-1402 | 1 |
| CAP-ASSY-TANK,FUEL (Ref # 51048) | 51048-1133 | 1 |
| GAUGE,FUEL (Ref # 52005) | 52005-7501 | 1 |
| CLAMP (Ref # 92037) | 92037-1458 | 1 |
| RING-O,FUEL TAP PACKING (Ref # 92055) | 92055-1112 | 1 |
| RING-O,TAP LEVER (Ref # 92055A) | 92055-1419 | 1 |
| DAMPER (Ref # 92075) | 92075-1787 | 2 |
| DAMPER (Ref # 92075A) | 92075-1876 | 1 |
| KNOB,FUEL TAP (Ref # 92077) | 92077-1098 | 1 |
| COLLAR,L=19.6 (Ref # 92143) | 92143-1100 | 2 |
| BOLT,6X14 (Ref # 92151) | 92151-1198 | 2 |
| DAMPER (Ref # 92160) | 92160-1773 | 2 |
| DAMPER,25X25 (Ref # 92160A) | 92160-3864 | 1 |
| DAMPER (Ref # 92161) | 92161-7502 | 1 |
| SCREW,4X25 (Ref # 92172) | 92172-1073 | 1 |
| TUBE,5X9.4X450 (Ref # 92191) | 92191-1107 | 1 |