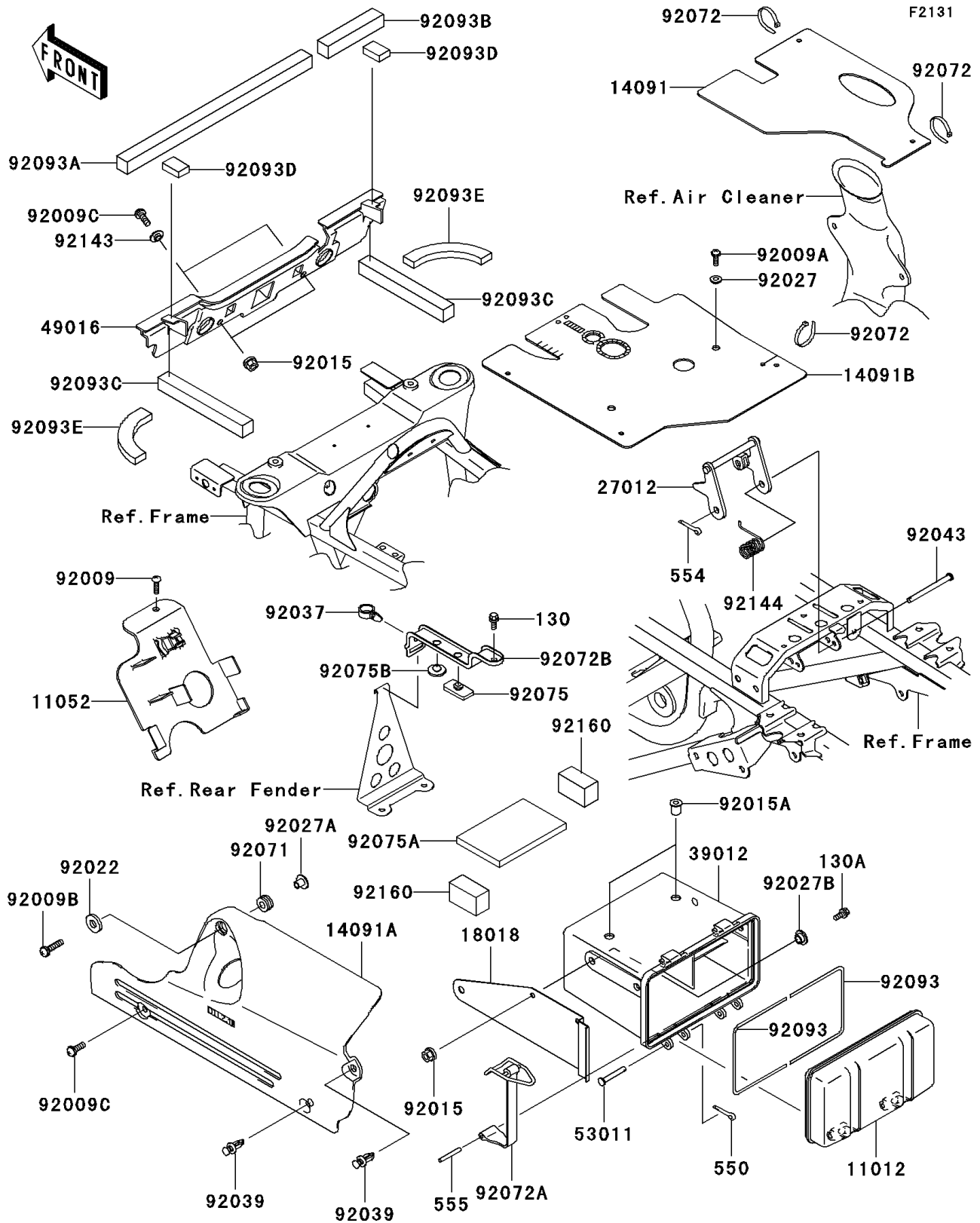


2003 Prairie 360 4X4 Advantage Classic PARTS DIAGRAM

Frame Fittings



2003 Prairie 360 4X4 Advantage Classic PARTS LIST

Frame Fittings

ITEM NAME	PART NUMBER	QUANTITY
BOLT-FLANGED,6X14,BLACK (Ref # 130)	130J0614	1
CAP,STORAGE CASE (Ref # 11012)	11012-1951	1
BRACKET,ELECTRIC BASE (Ref # 11052)	11052-7529	1
COVER,CARBURETOR (Ref # 14091)	14091-7516	1
COVER,ENGINE,F.BLACK (Ref # 14091A)	14091-7524-6Z	1
COVER,CYLINDER HEAD BRACKET (Ref # 14091B)	14091-7526	1
PLATE-HEAT GUARD (Ref # 18018)	18018-7501	1
HOOK,SEAT (Ref # 27012)	27012-1381	1
CASE-STORAGE (Ref # 39012)	39012-7501	1
COVER-SEAL (Ref # 49016)	49016-1221	1
PIN,6X39 (Ref # 53011)	53011-006	2
SCREW (Ref # 92009)	92009-1166	1
SCREW,TAPPING,5X10 (Ref # 92009A)	92009-1332	2
SCREW,6X25 (Ref # 92009B)	92009-1465	1
SCREW,6X16 (Ref # 92009C)	92009-1621	3
NUT,FLANGED,6MM,BLACK (Ref # 92015)	92015-1233	6
NUT (Ref # 92015A)	92015-1700	2
WASHER,7X18X1.2 (Ref # 92022)	92022-1545	1
COLLAR,L=4.6 (Ref # 92027)	92027-1168	2
COLLAR,FLANGED,L=12.1,BLACK (Ref # 92027A)	92027-1651	1
COLLAR,L=5.6 (Ref # 92027B)	92027-1933	4
CLAMP,HOSE (Ref # 92037)	92037-1827	1
RIVET (Ref # 92039)	92039-1229	2
PIN,6X77 (Ref # 92043)	92043-1367	1
GROMMET (Ref # 92071)	92071-3716	1
BAND,L=188 (Ref # 92072)	92072-1239	6
BAND,STORAGE CASE (Ref # 92072A)	92072-1337	2
BAND,BATTERY (Ref # 92072B)	92072-7501	1
DAMPER (Ref # 92075)	92075-1054	1

2003 Prairie 360 4X4 Advantage Classic PARTS LIST

Frame Fittings

ITEM NAME	PART NUMBER	QUANTITY
DAMPER,BATTERY (Ref # 92075A)	92075-1997	1
DAMPER,RUBBER (Ref # 92075B)	92075-261	1
SEAL (Ref # 92093)	92093-1457	2
SEAL (Ref # 92093A)	92093-1577	1
SEAL (Ref # 92093B)	92093-1578	1
SEAL (Ref # 92093C)	92093-1580	2
SEAL (Ref # 92093D)	92093-1581	2
SEAL (Ref # 92093E)	92093-1582	2
COLLAR (Ref # 92143)	92143-1087	2
SPRING,SEAT HOOK (Ref # 92144)	92144-1174	1
DAMPER (Ref # 92160)	92160-1744	2
BOLT-FLANGED,6X16,BLACK (Ref # 130A)	130J0616	4
PIN-COTTER,2.0X12 (Ref # 550)	550D2012	2
PIN-SNAP (Ref # 554)	554A0600	1
PIN-SPRING (Ref # 555)	555A0436	2