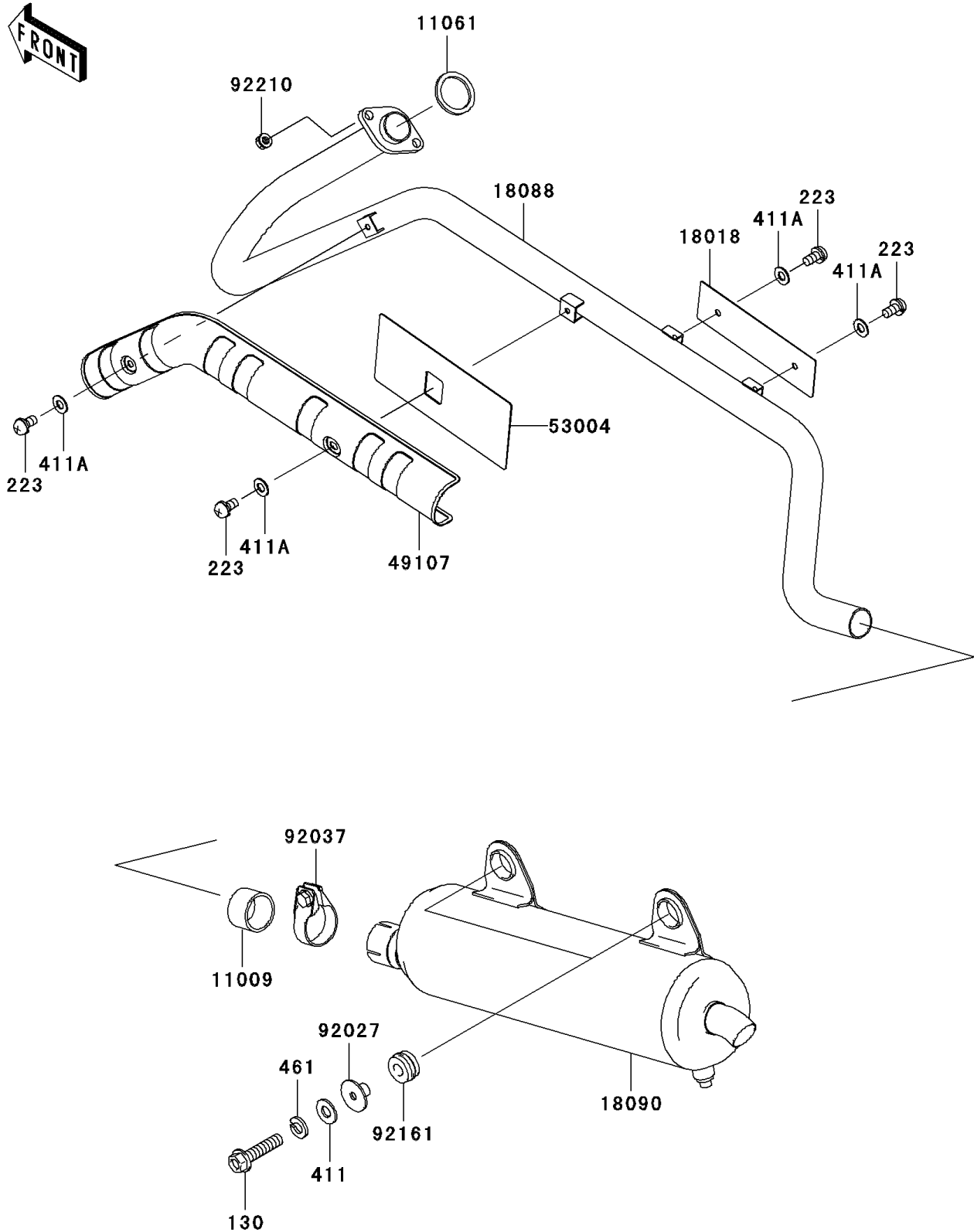


2003 Prairie 360 4X4 Advantage Classic PARTS DIAGRAM

Muffler(s)

E1140



2003 Prairie 360 4X4 Advantage Classic PARTS LIST

Muffler(s)

ITEM NAME	PART NUMBER	QUANTITY
BOLT-FLANGED (Ref # 130)	130Z0835	2
SCREW-PAN-WS-CROS (Ref # 223)	223C0612	4
WASHER-PLAIN,8MM (Ref # 411)	411B0800	2
WASHER-PLAIN,6MM,BLACK (Ref # 411A)	411F0600	4
WASHER-SPRING,8MM (Ref # 461)	461F0800	2
GASKET,EXHAUST PIPE CONNECTING (Ref # 11009)	11009-1667	1
GASKET,EXHAUST (Ref # 11061)	11061-1053	1
PLATE-HEAT GUARD,EXHAUST PIPE (Ref # 18018)	18018-1135	1
PIPE-EXHAUST (Ref # 18088)	18088-1215	1
BODY-COMP-MUFFLER (Ref # 18090)	18090-1954	1
COVER-EXHAUST PIPE (Ref # 49107)	49107-1222	1
MAT (Ref # 53004)	53004-1181	1
COLLAR,MUFFLER (Ref # 92027)	92027-1981	2
CLAMP,42MM (Ref # 92037)	92037-1349	1
DAMPER,MUFFLER (Ref # 92161)	92161-1292	2
NUT,RH,THREAD 8MM (Ref # 92210)	92210-1242	2