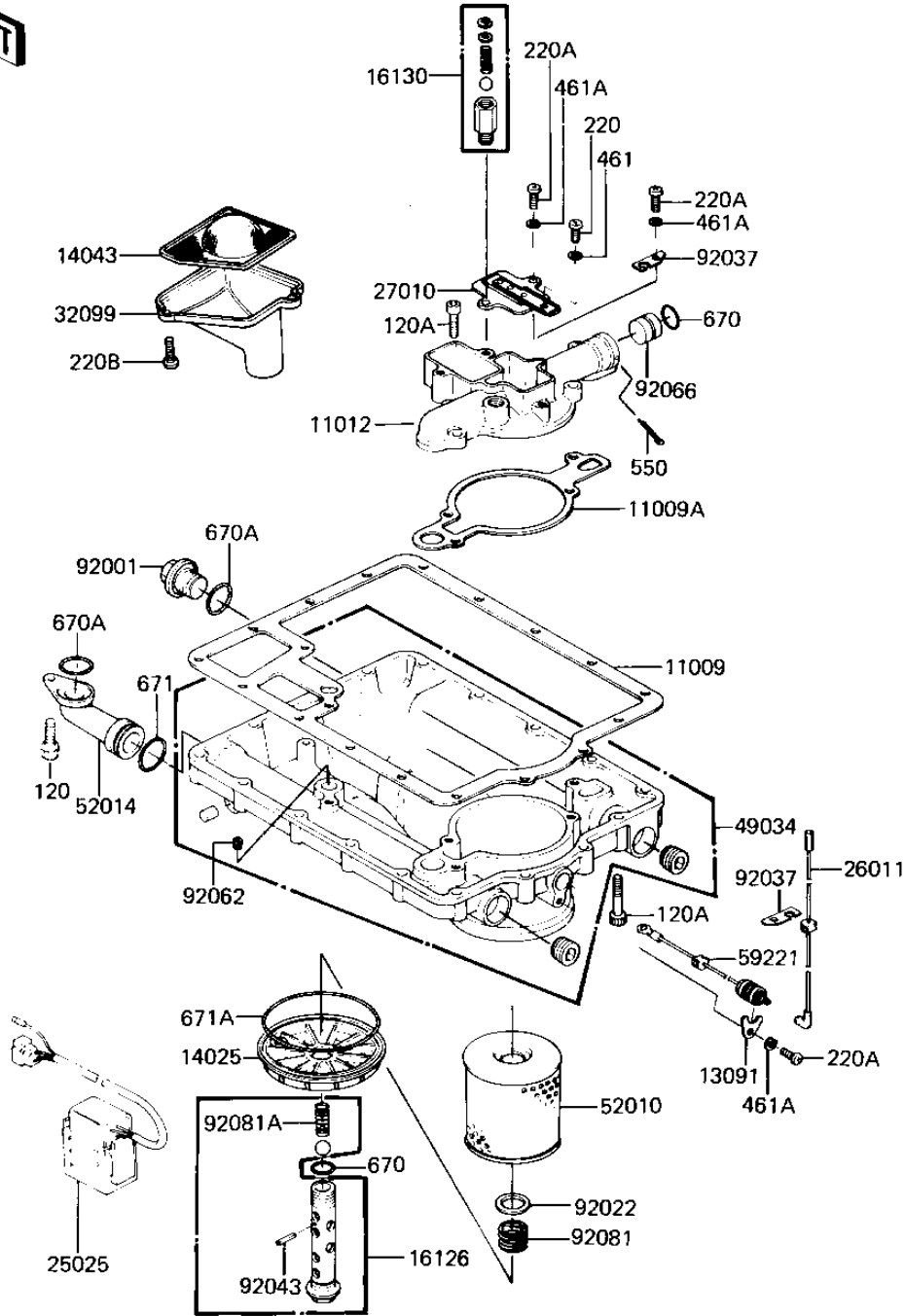


1982 KZ1300-A4 PARTS DIAGRAM

OIL PAN/OIL FILTER

E1710-0041



1982 KZ1300-A4 PARTS LIST

OIL PAN/OIL FILTER

ITEM NAME	PART NUMBER	QUANTITY
GASKET,OIL PAN (Ref # 11009)	11009-1093	1
GASKET,OIL FILTER CAP (Ref # 11009A)	11009-1198	1
CAP,OIL FILTER (Ref # 11012)	11012-1148	1
HOLDER (Ref # 13091)	13091-1080	1
COVER,OIL FILTER (Ref # 14025)	14025-1170	1
FILTER,OIL (Ref # 14043)	14043-1008	1
BOLT ASSY,OIL FILTER (Ref # 16126)	16126-1006	1
RELEAF VALVE ASSY (Ref # 16130)	16130-1001	1
WARNER,OIL LEVEL (Ref # 25025)	25025-1003	1
WIRE,LEAD (Ref # 26011)	26011-1085	1
SWITCH,OIL LEVEL (Ref # 27010)	27010-1038	1
CASE,OIL FILTER (Ref # 32099)	32099-1017	1
PAN,OIL (Ref # 49034)	49034-5005	1
ELEMENT,OIL FILTER (Ref # 52010)	16099-002	1
ELBOW,OIL PASSAGE (Ref # 52014)	52014-1002	1
CONNECTOR,OIL SW CORD (Ref # 59221)	59221-1002	1
PLUG,OIL DRAIN (Ref # 92001)	92001-1183	1
WASHER,20.5X30X1.0 (Ref # 92022)	92022-1012	1
CLAMP,LEAD WIRE (Ref # 92037)	92037-1211	2
SPRING PIN (Ref # 92043)	92043-111	1
NOZZLE,OIL BIAS (Ref # 92062)	92062-011	1
PLUG,OIL GALLERY,20MM (Ref # 92066)	92066-1023	1
SPRING,OIL FILTER (Ref # 92081)	92081-1018	1
SPRING,PISTON (Ref # 92081A)	92081-133	1
BOLT,6X20 (Ref # 120)	120P0620	1
BOLT,SOCKET,6X35 (Ref # 120A)	120P0635	21
SCREW PAN HEAD 4X6 (Ref # 220)	220B0406	1
SCREW PAN HEAD 6X14 (Ref # 220A)	220B0614	4
SCREW PAN HEAD 6X20 (Ref # 220B)	220B0620	3

1982 KZ1300-A4 PARTS LIST

OIL PAN/OIL FILTER

ITEM NAME	PART NUMBER	QUANTITY
WASHER SPRING 4MM (Ref # 461)	461F0400	1
WASHER SPRING 6MM (Ref # 461A)	461F0600	4
PIN,COTTER,2.0X40 (Ref # 550)	550D2040	1
"O" RING,16MM (Ref # 670)	670B2016	2
"O" RING,22MM (Ref # 670A)	670B2022	2
"O" RING,25MM (Ref # 671)	671B2525	1
"O" RING,95MM (Ref # 671A)	671B2595	1