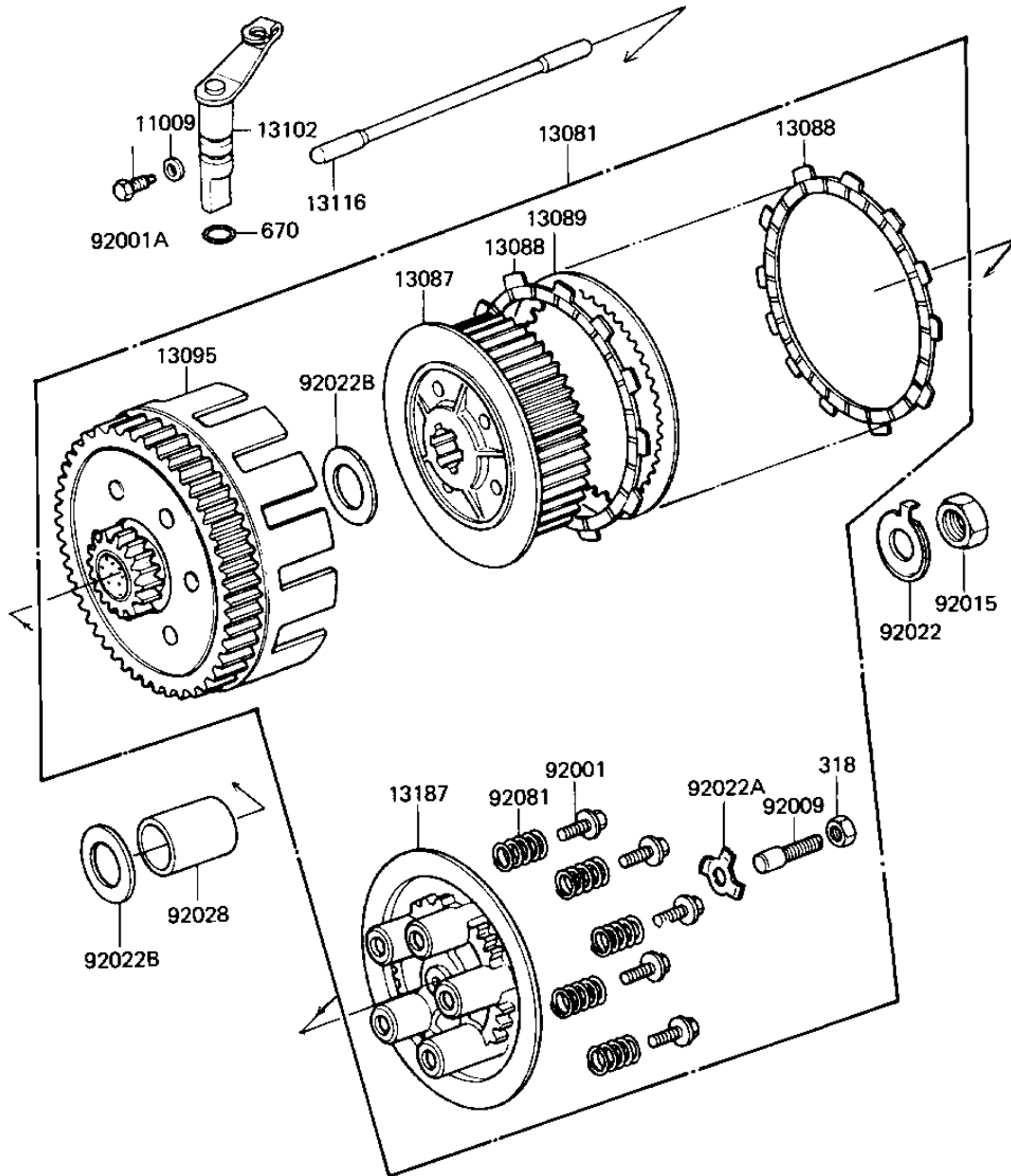


1982 KX250 PARTS DIAGRAM

CLUTCH

E1350-0043



1982 KX250 PARTS LIST

CLUTCH

ITEM NAME	PART NUMBER	QUANTITY
GASKET,R.H ENG COVER (Ref # 11009)	92065-092	1
CLUTCH-ASSY (Ref # 13081)	13081-1073	1
HUB,CLUTCH (Ref # 13087)	13087-044	1
PLATE-FRICTION (Ref # 13088)	13088-1009	1
PLATE-CLUTCH (Ref # 13089)	13089-1010	1
HOUSING,CLUTCH (Ref # 13095)	13095-1026	1
RELEASE,CLUTCH (Ref # 13102)	13102-1006	1
ROD,CLUTCH PUSH (Ref # 13116)	13116-1021	1
PLATE-CLUTCH OPERATIN (Ref # 13187)	13187-1009	1
BOLT,CLUTCH SPR FITT (Ref # 92001)	92001-1066	1
BOLT,CLUTCH RELEASE (Ref # 92001A)	92003-130	1
SCREW,SLOTTED,8X35 (Ref # 92009)	92014-017	1
NUT 20MM (Ref # 92015)	92016-028	1
WASHER,LOCK (Ref # 92022)	92022-1047	1
WASHER,LOCK,8.5MM (Ref # 92022A)	92022-1287	1
WASHER,CLUTCH THRUST (Ref # 92022B)	92022-282	1
BUSHING,CLUTCH (Ref # 92028)	92028-1076	1
SPRING,CLUTCH (Ref # 92081)	92081-1151	1
NUT 8MM (Ref # 318)	318G0800	1
"O" RING, 10MM (Ref # 670)	670B2010	1