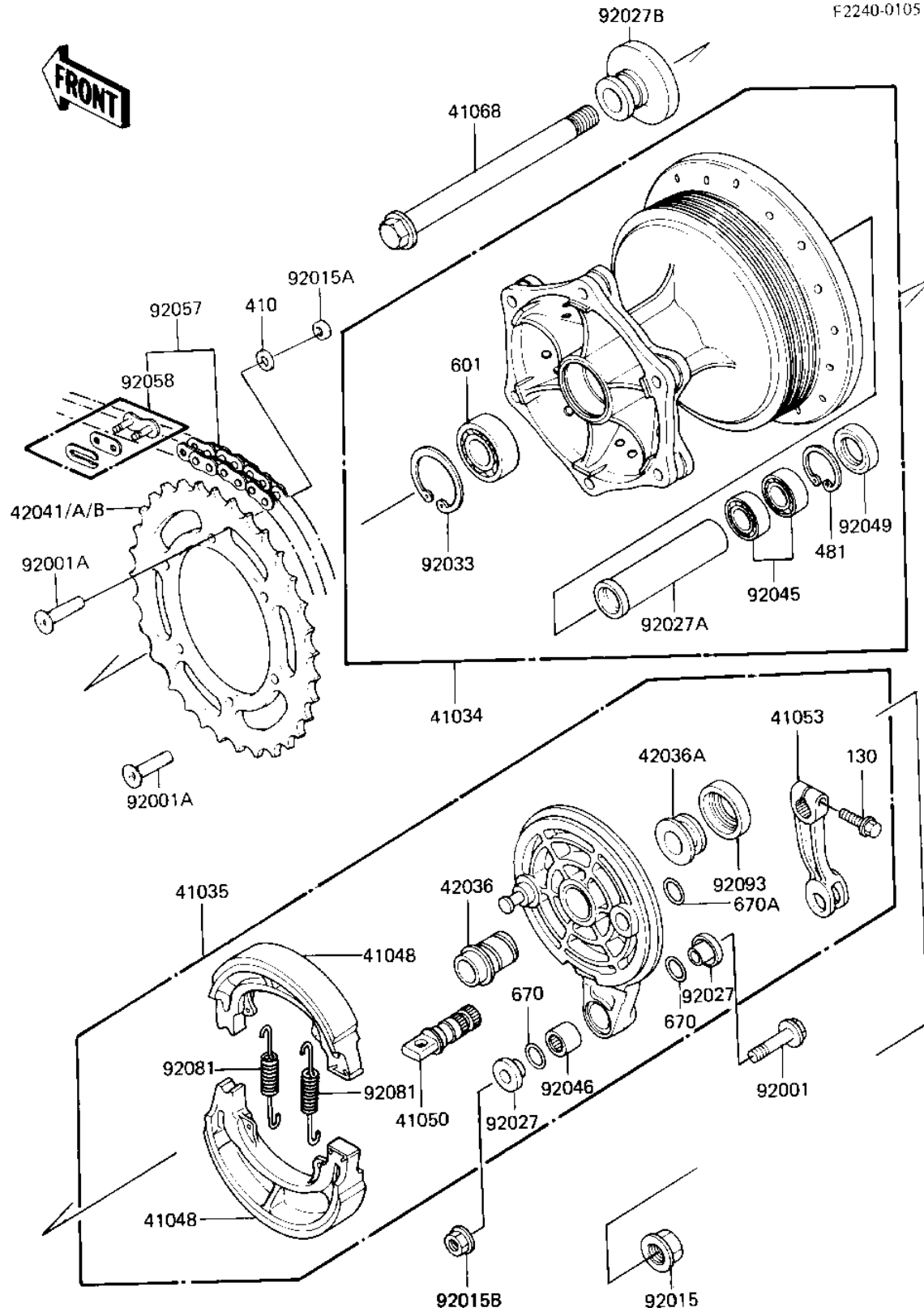


1982 KX125 PARTS DIAGRAM

REAR HUB/BRAKE/CHAIN (KX125-B2)

F2240-0105



1982 KX125 PARTS LIST

REAR HUB/BRAKE/CHAIN (KX125-B2)

ITEM NAME	PART NUMBER	QUANTITY
DRUM-ASSY,RR (Ref # 41034)	41034-5002	1
PANEL-ASSY-BRAKE,RR (Ref # 41035)	41035-1104	1
SHOE-BRAKE (Ref # 41048)	42019-013	1
CAM-BRAKE,REAR (Ref # 41050)	41050-1022	1
LEVER-BRAKE CAM,REAR (Ref # 41053)	41053-1029	1
AXLE,RR,L=264 (Ref # 41068)	41068-1076	1
SLEEVE,RR BRAKE,LH,L= (Ref # 42036)	42036-1070	1
SLEEVE,RR BRAKE,RH,L= (Ref # 42036A)	42036-1071	1
SPROCKET-HUB,50T,AL (Ref # 42041)	42041-1255	1
SPROCKET-HUB,51T (Ref # 42041A)	42041-1104	1
SPROCKET-HUB,49T,AL (Ref # 42041B)	42041-1256	1
BOLT,FLANGED,8X38 (Ref # 92001)	92001-1178	1
BOLT (Ref # 92001A)	92001-1521	1
NUT,16M/M (Ref # 92015)	92015-1015	1
NUT,8MM (Ref # 92015A)	92015-1134	1
NUT-8MM (Ref # 92015B)	92015-1143	1
COLLAR (Ref # 92027)	92027-1040	1
COLLAR,REAR DRUM,L=10 (Ref # 92027A)	92027-1459	1
COLLAR,RR AXLE,LH (Ref # 92027B)	92027-1460	1
CIRCLIP,42MM (Ref # 92033)	92033-1041	1
BEARING-BALL (Ref # 92045)	92045-1053	1
BEARING,NEEDLE (Ref # 92046)	92046-1009	1
SEAL-OIL,BJN22325 (Ref # 92049)	92049-1103	1
CHAIN,DRIVE,DID520DSX (Ref # 92057)	92057-1317	1
JOINT,DRIVE CHAIN (Ref # 92058)	92058-1013	1
SPRING,BRAKE SHOE (Ref # 92081)	92081-1766	1
OIL SEAL (Ref # 92093)	92093-1004	1
BOLT-FLANGED,6X22 (Ref # 130)	130G0622	1
WASHER PLAIN 8MM (Ref # 410)	410B0800	1

1982 KX125 PARTS LIST

REAR HUB/BRAKE/CHAIN (KX125-B2)

ITEM NAME	PART NUMBER	QUANTITY
CIRCLIP 30MM (Ref # 481)	481J3000	1
BEARING-BALL,#6004U (Ref # 601)	601B6004U	1
"O" RING (Ref # 670)	670B2011	1
"O" RING,12MM (Ref # 670A)	670B2012	1