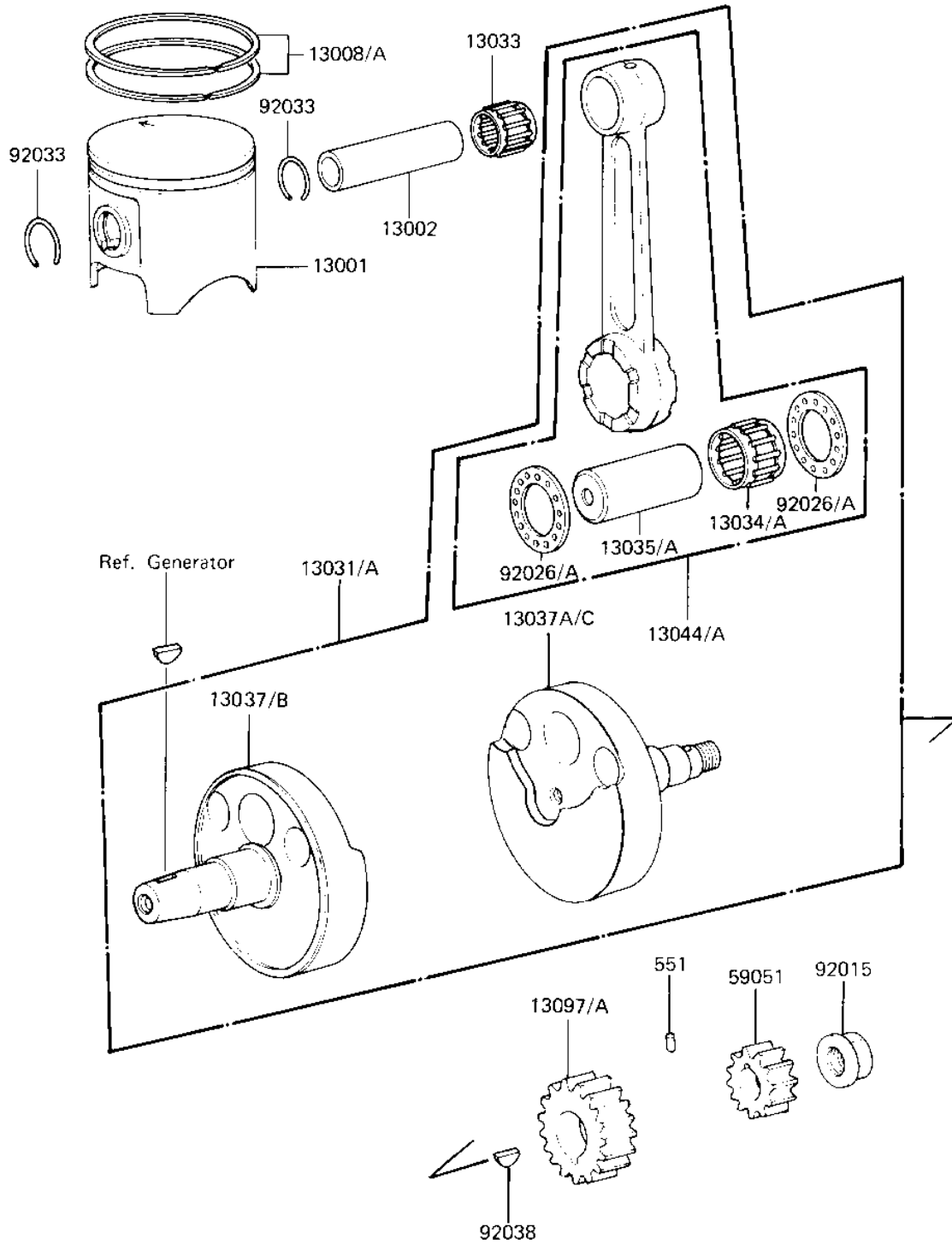


## 1983 KX125 PARTS DIAGRAM

CRANKSHAFT/PISTON

E:1321-0046



## 1983 KX125 PARTS LIST

CRANKSHAFT/PISTON

ITEM NAME	PART NUMBER	QUANTITY
PISTON-ENGINE (Ref # 13001)	13001-1198	1
PIN-PISTON (Ref # 13002)	13002-1003	1
RING-SET-PISTON (Ref # 13008A)	13008-5051	1
BEARING-SMALL END (Ref # 13033)	13033-1007	1
PIN (Ref # 13035A)	13035-1010-01	1
SET-CONNECTING ROD (Ref # 13044A)	13044-5030	1
GEAR-PRIMARY SPUR,19T (Ref # 13097A)	13097-1069	1
GEAR-SPUR,WATER PUMP, (Ref # 59051)	59051-1035	1
NUT,10MM (Ref # 92015)	92015-1161	1
SPACER,22.2X37X1.0 (Ref # 92026A)	92026-1136	1
CIRCLIP PISTON PIN (Ref # 92033)	92036-004	1
WOODRUFF KEY PRY PINI (Ref # 92038)	92038-003	1
PIN,DOWEL,4X8 (Ref # 551)	551A0408	1