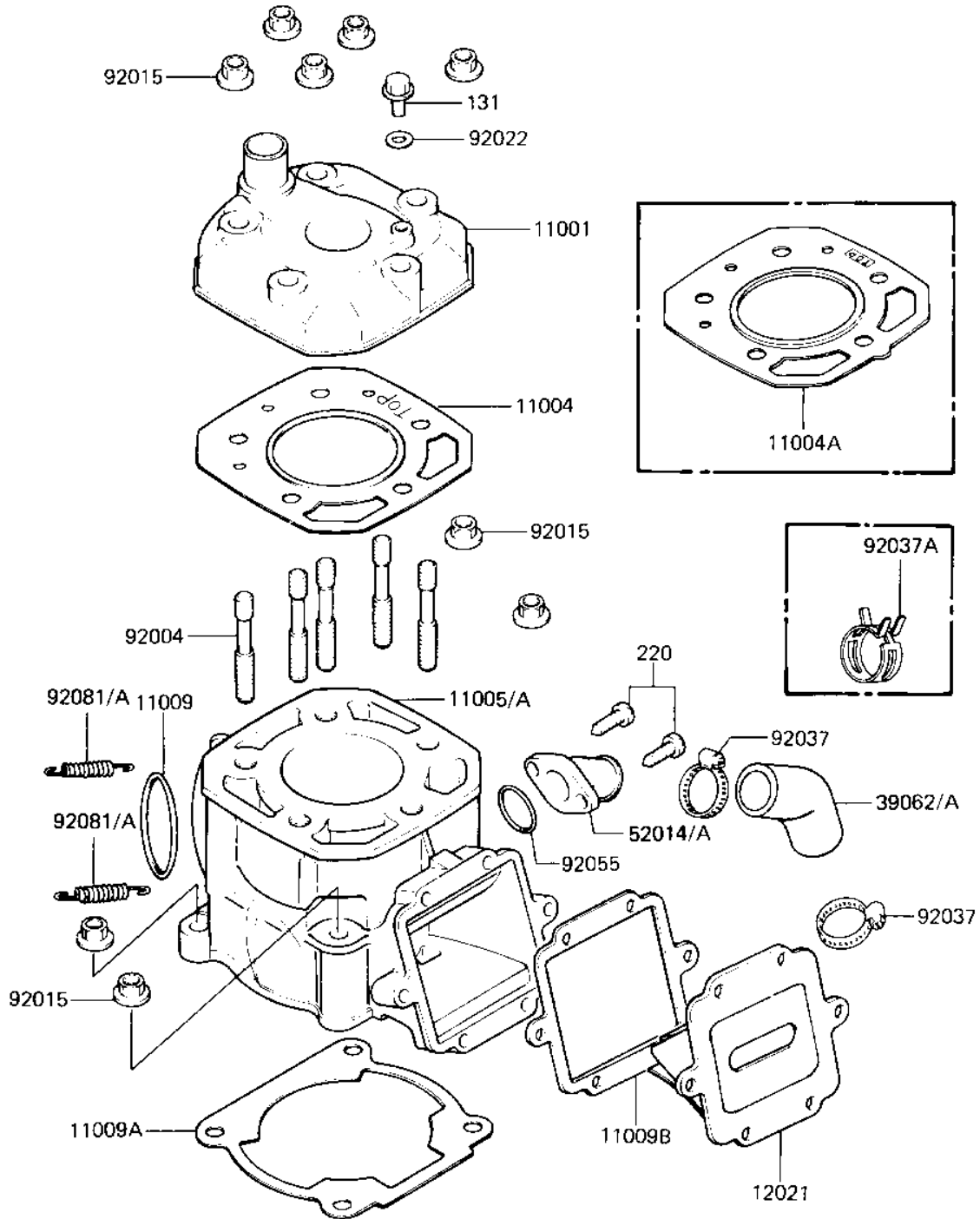


## 1983 KX125 PARTS DIAGRAM

CYLINDER HEAD/CYLINDER/REED VALVE

E1111-0100



## 1983 KX125 PARTS LIST

CYLINDER HEAD/CYLINDER/REED VALVE

ITEM NAME	PART NUMBER	QUANTITY
HEAD-CYLINDER (Ref # 11001)	11001-1072	1
GASKET-HEAD,CYLINDER (Ref # 11004A)	11004-1056	1
CYLINDER-ENGINE,ELECT (Ref # 11005A)	11005-1206	1
GASKET,EXHAUST HOLDER (Ref # 11009)	11009-1123	1
GASKET,CYLINDER BASE (Ref # 11009A)	11009-1258	1
GASKET,REED VALVE (Ref # 11009B)	11009-1941	1
VALVE-ASSY-REED (Ref # 12021)	12021-1014	1
ELBOW,WATER PUMP (Ref # 52014A)	52014-1005	1
STUD,CYLINDER (Ref # 92004)	92004-1026	1
NUT-8MM (Ref # 92015)	92015-1143	1
WASHER OIL PUMP BANJO (Ref # 92022)	92022-077	1
CLAMP,COOLING HOSE (Ref # 92037A)	92037-1364	1
"O" RING (Ref # 92055)	92055-055	1
SPRING,MUFFLER CONECT (Ref # 92081A)	92081-1526	1
BOLT-FLANGED,6X10 (Ref # 131)	130G0610	1
SCREW PAN HEAD 6X16 (Ref # 220)	220B0616	1