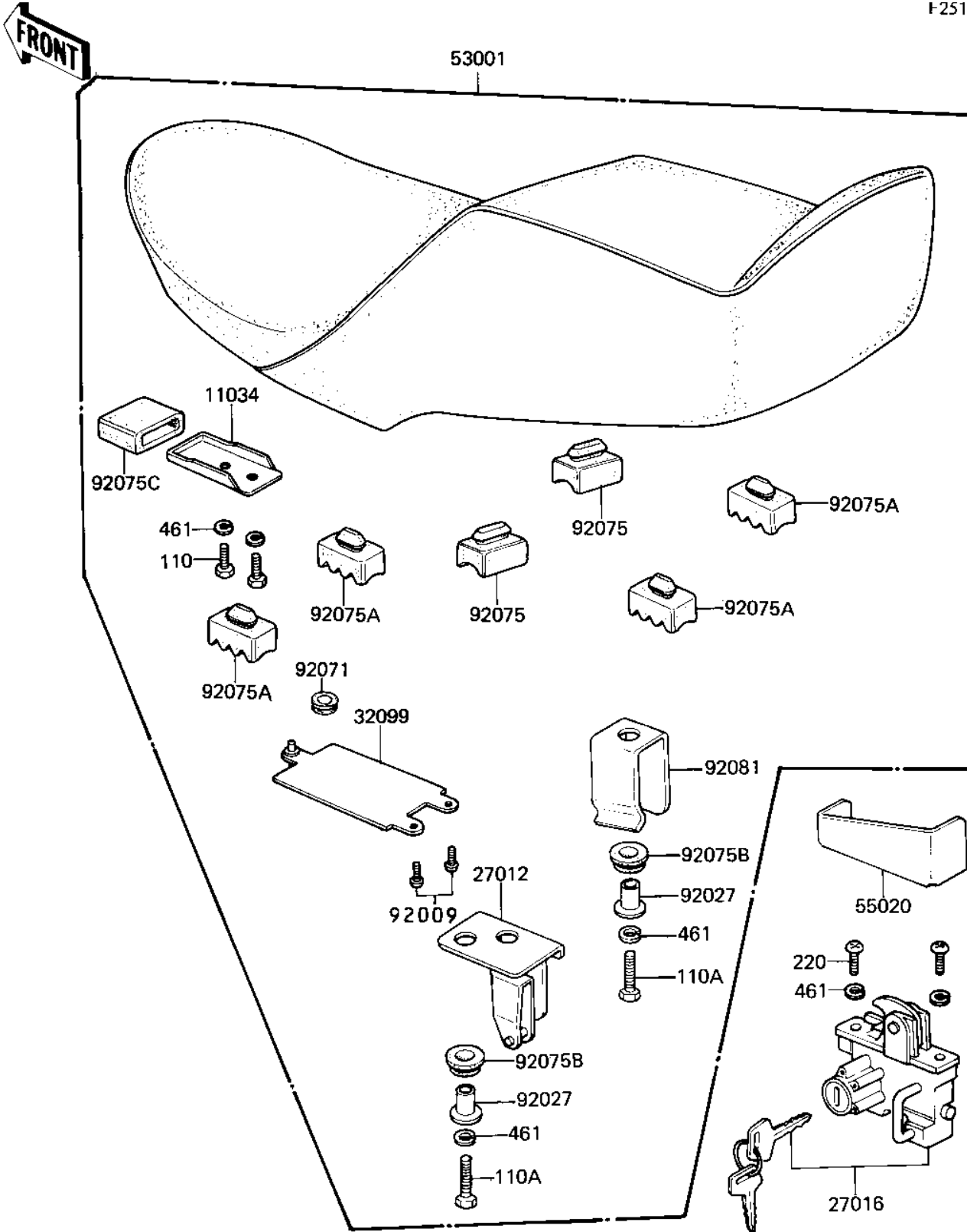


1982 CSR Belt PARTS DIAGRAM

SEAT

F-2510-0005



1982 CSR Belt PARTS LIST

SEAT

ITEM NAME	PART NUMBER	QUANTITY
BRACKET,HOLDER (Ref # 11034)	11034-1135	1
HOOK,SEAT (Ref # 27012)	27012-1015	1
LOCK ASSY,SEAT HELMET (Ref # 27016)	27016-5028	1
CASE (Ref # 32099)	32099-011	1
SEAT-ASSY (Ref # 53001)	53001-1172	1
GUARD,SEAT (Ref # 55020)	55020-1042	1
SCREW (Ref # 92009)	92009-1043	1
COLLAR,SEAT (Ref # 92027)	92027-1062	1
GROMMET (Ref # 92071)	92071-056	1
DAMPER RUBBER (Ref # 92075)	92075-099	1
DAMPER,SEAT (Ref # 92075A)	92075-1007	1
DAMPER, HEAD LMP FITT (Ref # 92075B)	92075-1123	1
DAMPER RUBBER,SEAT (Ref # 92075C)	92075-219	1
SPRING,SEAT (Ref # 92081)	92081-1205	1
BOLT-UPSET,6X12 (Ref # 110)	112G0612	1
BOLT-UPSET (Ref # 110A)	112G0625	1
SCREW PAN HEAD 6X14 (Ref # 220)	220B0614	1
WASHER SPRING 6MM (Ref # 461)	461F0600	1