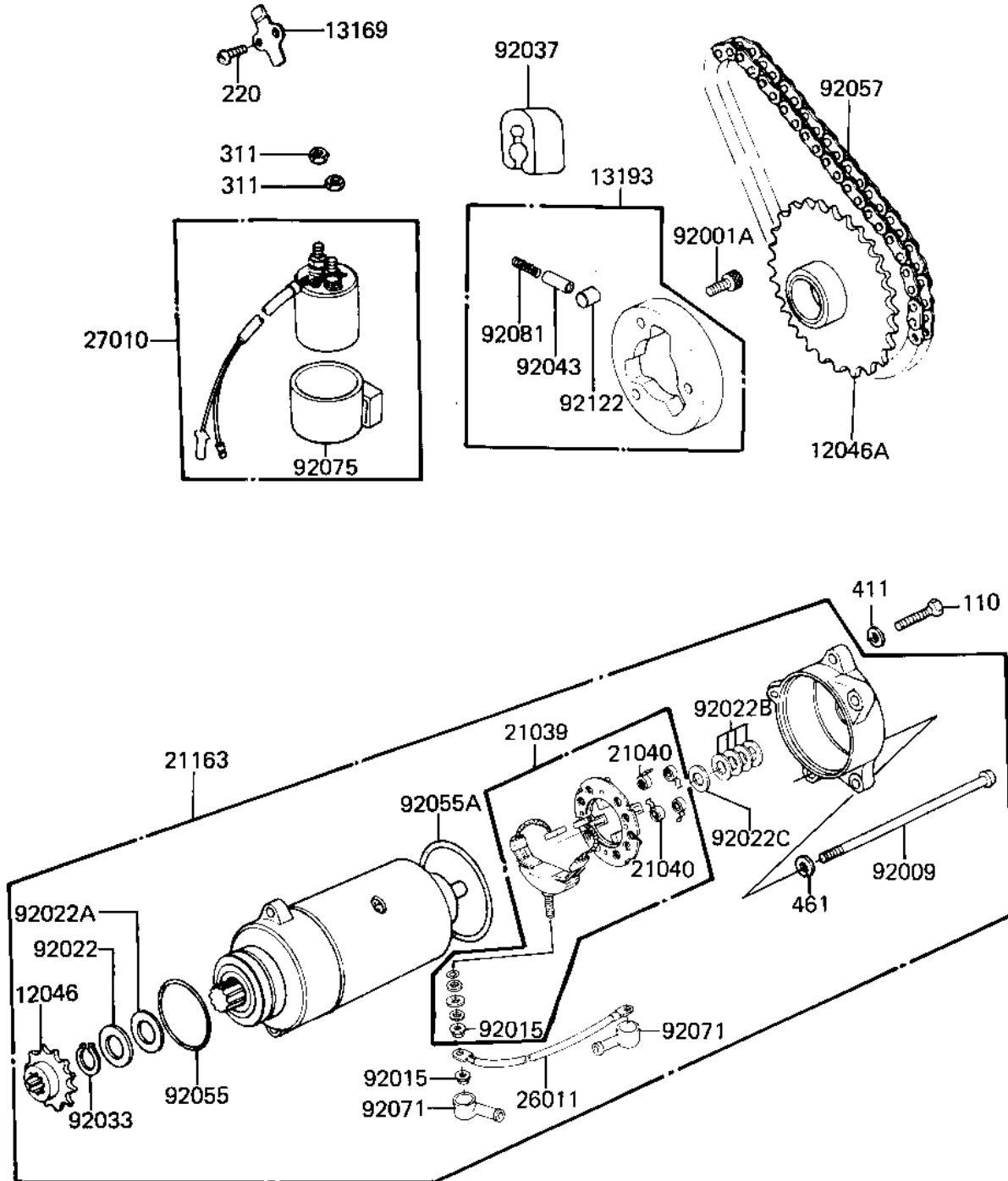


1982 CSR Belt PARTS DIAGRAM

STARTER MOTOR/STARTER CLUTCH



E1840-0018



1982 CSR Belt PARTS LIST

STARTER MOTOR/STARTER CLUTCH

ITEM NAME	PART NUMBER	QUANTITY
SPROCKET,STARTER MOTO (Ref # 12046)	12046-1004	1
SPROCKET,STARTER (Ref # 12046A)	12046-1023	1
PLATE (Ref # 13169)	13169-1010	1
CLUTCH ASSY,STARTING (Ref # 13193)	13193-1006	1
BRUSH,CARBON (Ref # 21039)	21039-1007	1
SPRING CARBON BRUSH (Ref # 21040)	21040-004	1
STARTER-ELECTRIC (Ref # 21163)	21163-1036	1
WIRE-LEAD,STARTER MOT (Ref # 26011)	26011-1201	1
SWITCH ASSY,MAGNETIC (Ref # 27010)	21164-005	1
BOLT (Ref # 92001)	120P0816	1
SCREW,PAN HEAD,6X119 (Ref # 92009)	92009-1097	1
NUT-6MM (Ref # 92015)	92015-1078	1
WASHER,PLAIN,14MM (Ref # 92022)	21025-008	1
WASHER PLAIN 14MM (Ref # 92022A)	21025-009	1
WASHER,THRUST,0.2T (Ref # 92022B)	21025-011	1
WASHER,THRUST,0.8T (Ref # 92022C)	92022-1132	1
CIRCLIP,13M/M (Ref # 92033)	92033-037	1
CLAMP,CABLE (Ref # 92037)	92037-1049	1
PIN (Ref # 92043)	92043-087	1
"O" RING,42.8MM (Ref # 92055)	21027-005	1
"O" RING,STARTER MOTR (Ref # 92055A)	92055-1086	1
CHAIN,DYNAMO (Ref # 92057)	92057-1009	1
CAP,STARTING MOTOR (Ref # 92071)	21017-020	1
DAMPER MAG SWITCH SHK (Ref # 92075)	21064-002	1
SPRING (Ref # 92081)	92081-110	1
PIN (Ref # 92122)	92122-001	1
BOLT-UPSET (Ref # 110)	112G0625	1
SCREW PAN HEAD 6X14 (Ref # 220)	220B0614	1
NUT,6M/M (Ref # 311)	311G0600	1

1982 CSR Belt PARTS LIST

STARTER MOTOR/STARTER CLUTCH

ITEM NAME	PART NUMBER	QUANTITY
WASHER PLAIN 6MM (Ref # 411)	411B0600	1
WASHER SPRING 6MM (Ref # 461)	461F0600	1