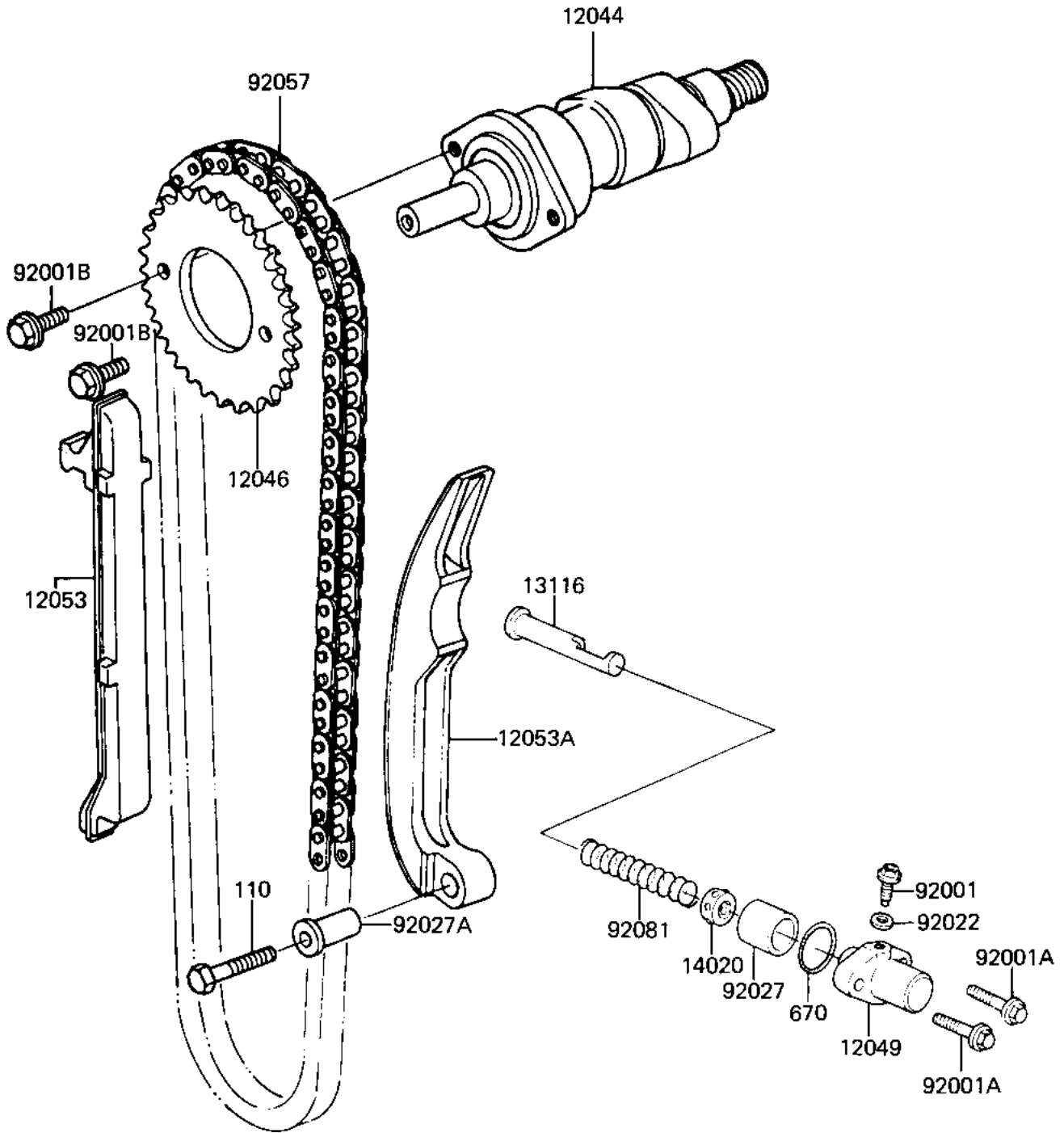


## 1982 CSR Belt PARTS DIAGRAM

CAMSHAFT/CHAIN/TENSIONER

E1230-0004



## 1982 CSR Belt PARTS LIST

CAMSHAFT/CHAIN/TENSIONER

ITEM NAME	PART NUMBER	QUANTITY
SHAFT,CAM (Ref # 12044)	12044-1028	1
SPROCKET,CAM SHAFT (Ref # 12046)	12046-1007	1
TENSIONER,CAM CHAIN (Ref # 12049)	12049-1055	1
SLIPER,CAM CHAIN (Ref # 12053)	12053-023	1
SLIPER,CAM CHAIN (Ref # 12053A)	12053-024	1
ROD,PUSH,CAM CHAIN (Ref # 13116)	13116-1019	1
RETAINER (Ref # 14020)	14020-1002	1
BELT,TENSIONER ADJUST (Ref # 92001)	92001-1155	1
BOLT,FLANGED,6X22 (Ref # 92001A)	92001-1352	1
BOLT,SPROCKET FITTING (Ref # 92001B)	92003-208	1
WASHER OIL PUMP BANJO (Ref # 92022)	92022-077	1
COLLAR,TENSIONER (Ref # 92027)	92027-1273	1
COLLAR (Ref # 92027A)	92027-155	1
CHAIN,CAM (Ref # 92057)	21070-013	1
SPRING,TENSIONER (Ref # 92081)	92081-1105	1
BOLT-UPSET (Ref # 110)	112G0630	1
"O" RING,22MM (Ref # 670)	670B2022	1