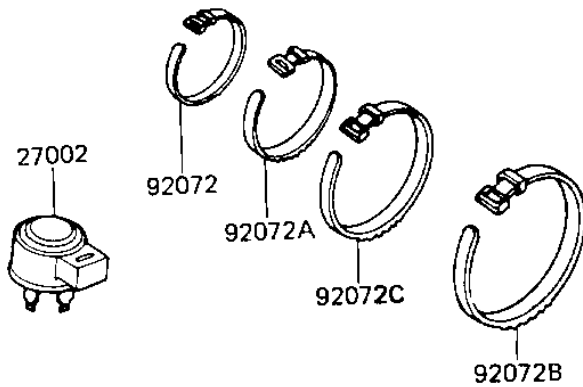
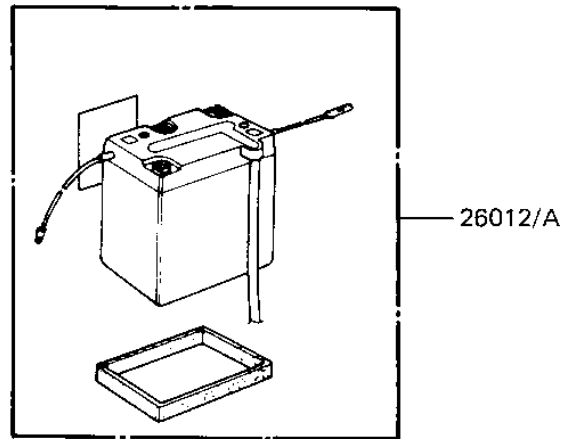
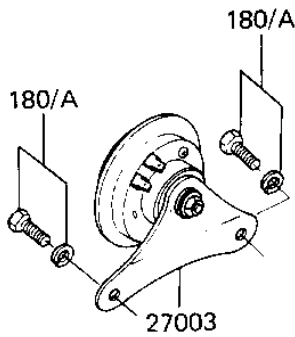
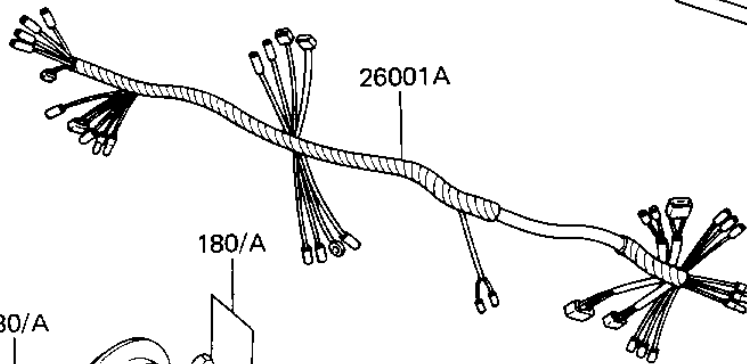
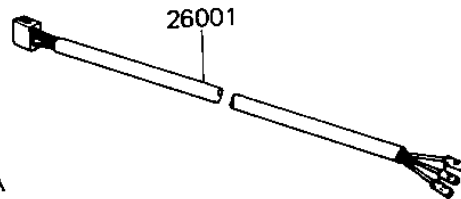
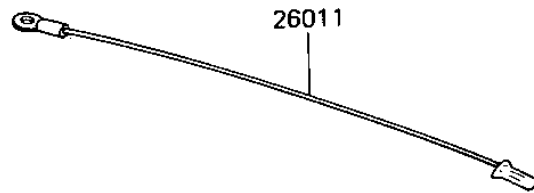
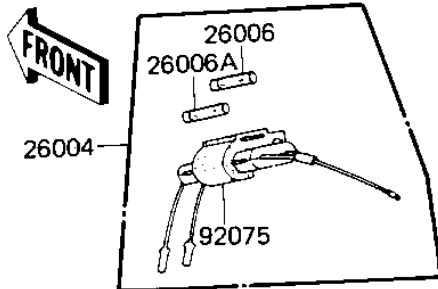


1985 KE100 (Canada Only) PARTS DIAGRAM

CHASSIS ELECTRICAL EQUIPMENT

F2760-0094



1985 KE100 (Canada Only) PARTS LIST

CHASSIS ELECTRICAL EQUIPMENT

| ITEM NAME | PART NUMBER | QUANTITY |
|-------------------------------------|-------------|----------|
| WIRING HARNESS,TAIL L (Ref # 26001) | 26001-1007 | 1 |
| HARNESS,MAIN (Ref # 26001A) | 26001-1275 | 1 |
| FUSE ASSY (Ref # 26004) | 26004-1010 | 1 |
| FUSE,10A,L=30M/M (Ref # 26006) | 26006-1002 | 1 |
| FUSE,15A,L=30M/M (Ref # 26006A) | 26006-1003 | 2 |
| WIRE,LEAD (Ref # 26011) | 26011-093 | 1 |
| YUA BAT 6N6-1D-2 (Ref # 26012) | K26012-034 | 1 |
| RELAY-TURN SIGNAL (Ref # 27002) | 27002-013 | 1 |
| HORN (Ref # 27003) | 27003-1052 | 1 |
| BAND,SHORT (Ref # 92072) | 92072-030 | 6 |
| BAND,MIDDLE (Ref # 92072A) | 92072-031 | 2 |
| BAND,LONG (Ref # 92072B) | 92072-032 | 3 |
| BAND,WIRING HARNESS (Ref # 92072C) | 92072-056 | 1 |
| DAMPER RUBBER (Ref # 92075) | 92075-1044 | 1 |
| BOLT-UPSET-WS,6X25 (Ref # 180A) | 180C0625 | 2 |