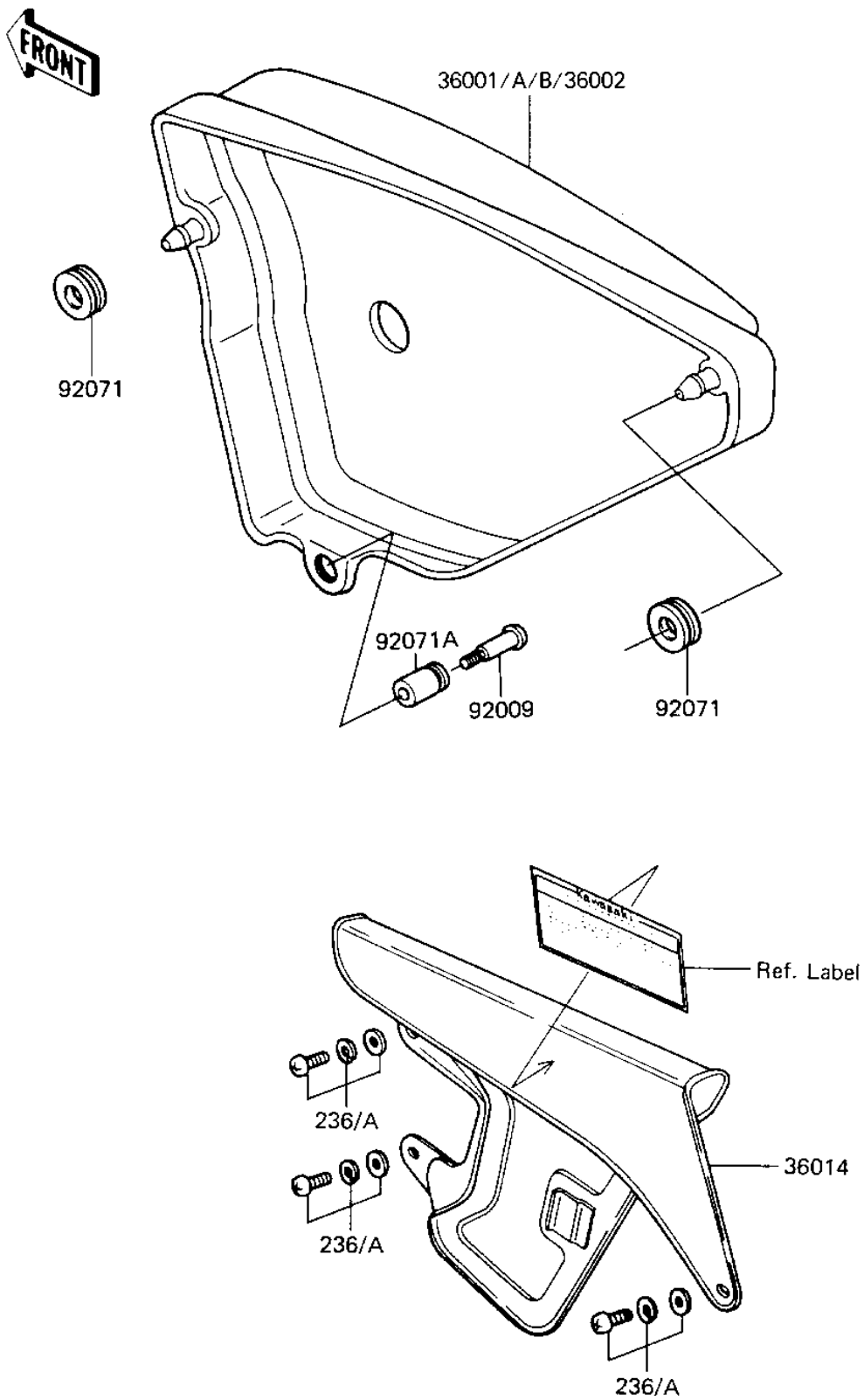


1986 KE100 PARTS DIAGRAM

SIDE COVER/CHAIN COVER

F2610-0084



1986 KE100 PARTS LIST

SIDE COVER/CHAIN COVER

| ITEM NAME | PART NUMBER | QUANTITY |
|-------------------------------------|---------------|----------|
| COVER-SIDE,RH,P.WHITE (Ref # 36002) | 36002-5189-6F | 1 |
| CASE-CHAIN,BLACK (Ref # 36014) | 36014-1047 | 1 |
| SCREW PLUG (Ref # 92009) | 92009-1001 | 1 |
| GROMMET (Ref # 92071) | 92071-056 | 1 |
| GROMMET,SIDE COVER (Ref # 92071A) | 92071-1001 | 1 |
| SCREW-PAN-WSP-CROS (Ref # 236A) | 236C0612 | 1 |