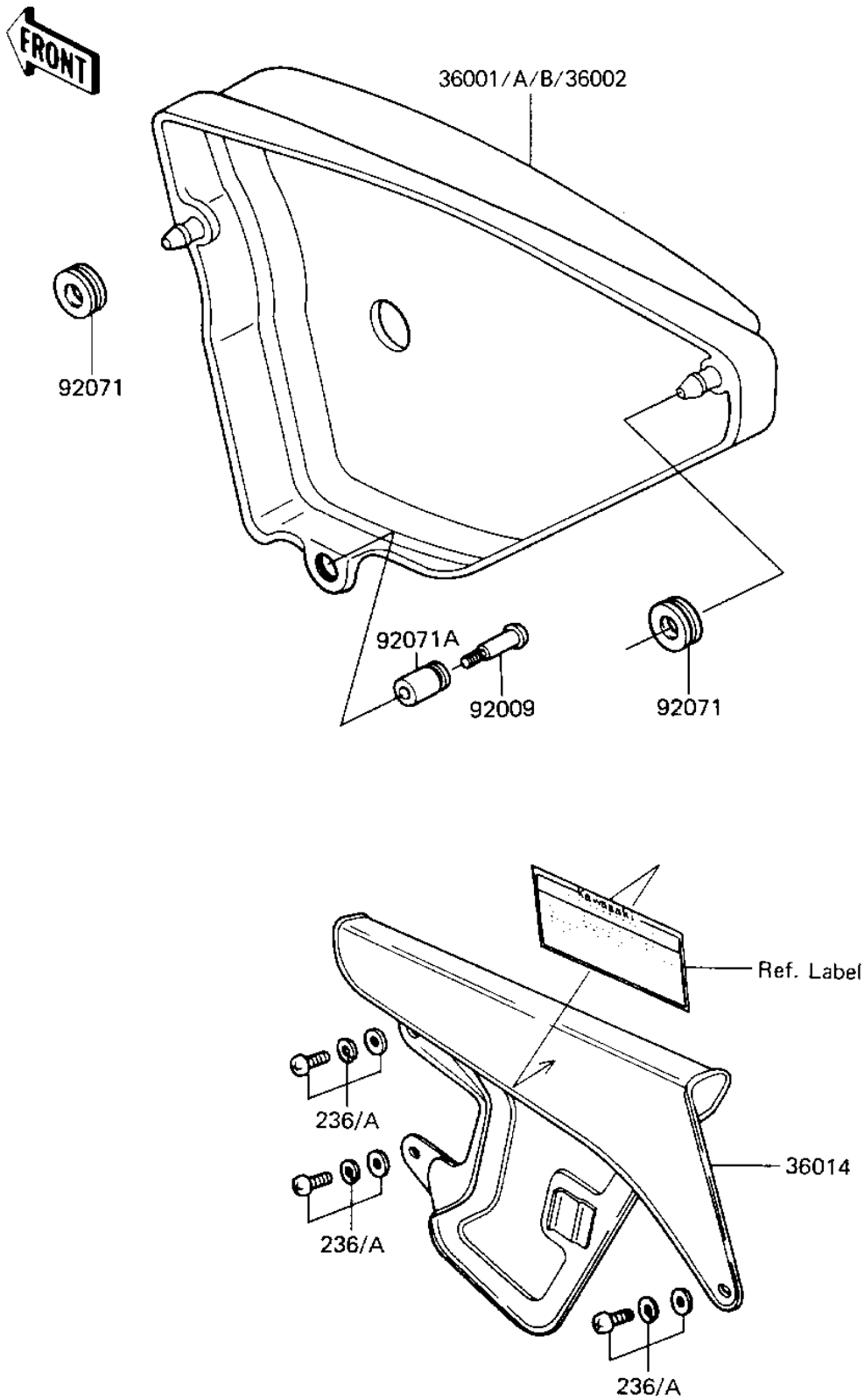


1984 KE100 PARTS DIAGRAM

SIDE COVER/CHAIN COVER

F2610-0084



1984 KE100 PARTS LIST

SIDE COVER/CHAIN COVER

ITEM NAME	PART NUMBER	QUANTITY
COVER-SIDE,RH,S.RED (Ref # 36001)	36001-1137-6B	1
CASE-CHAIN,BLACK (Ref # 36014)	36014-1047	1
SCREW PLUG (Ref # 92009)	92009-1001	1
GROMMET (Ref # 92071)	92071-056	1
GROMMET,SIDE COVER (Ref # 92071A)	92071-1001	1
SCREW-PAN-WSP-CROS (Ref # 236A)	236C0612	1