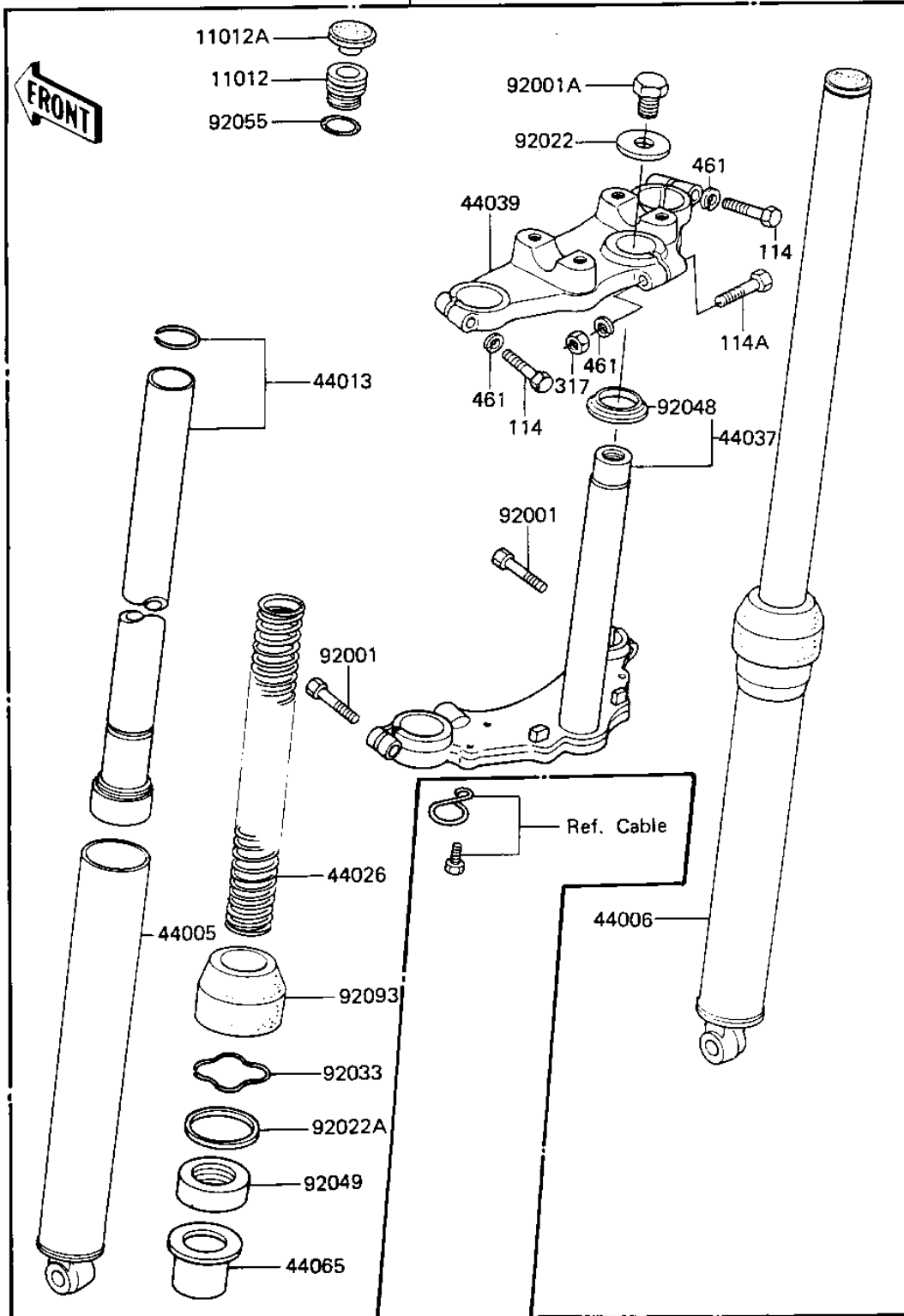


1984 KE100 PARTS DIAGRAM

FRONT FORK

44001

F2340-0074



1984 KE100 PARTS LIST

FRONT FORK

ITEM NAME	PART NUMBER	QUANTITY
GUIDE,SPRING (Ref # 11012)	11012-1126	1
CAP,FORK (Ref # 11012A)	11012-1127	1
FORK-FRONT (Ref # 44001)	44001-1303	1
TUBE,LH,FORK OUTER (Ref # 44005)	44005-1076	1
TUBE,RH,FORK OUTER (Ref # 44006)	44006-1075	1
PIPE-FORK INNER,30X70 (Ref # 44013)	44013-1070	1
SPRING-FRONT FORK (Ref # 44026)	44026-1120	1
HOLDER-FORK UNDER (Ref # 44037)	44037-1076	1
HEAD-STEERING STEM (Ref # 44039)	44039-047	1
BUSHING-FRONT FORK (Ref # 44065)	44065-1014	1
BOLT,10X36 (Ref # 92001)	92001-1269	2
WASHER STRNG STEM HD (Ref # 92022)	44043-016	1
WASHER,FRONT FORK OIL (Ref # 92022A)	92022-1241	1
RING-SNAP (Ref # 92033)	92033-1038	1
CONE LOWER BEARING (Ref # 92048)	92047-004	1
OIL SEAL (Ref # 92049)	92049-1049	1
"O" RING (Ref # 92055)	92055-1087	1
SEAL,DUST (Ref # 92093)	92093-1065	1
BOLT (Ref # 114)	114G0836	1
BOLT-SMALL-UPSET (Ref # 114A)	115G0845	1
NUT,8M/M (Ref # 317)	317B0800	1
WASHER SPRING 8MM (Ref # 461)	461F0800	1