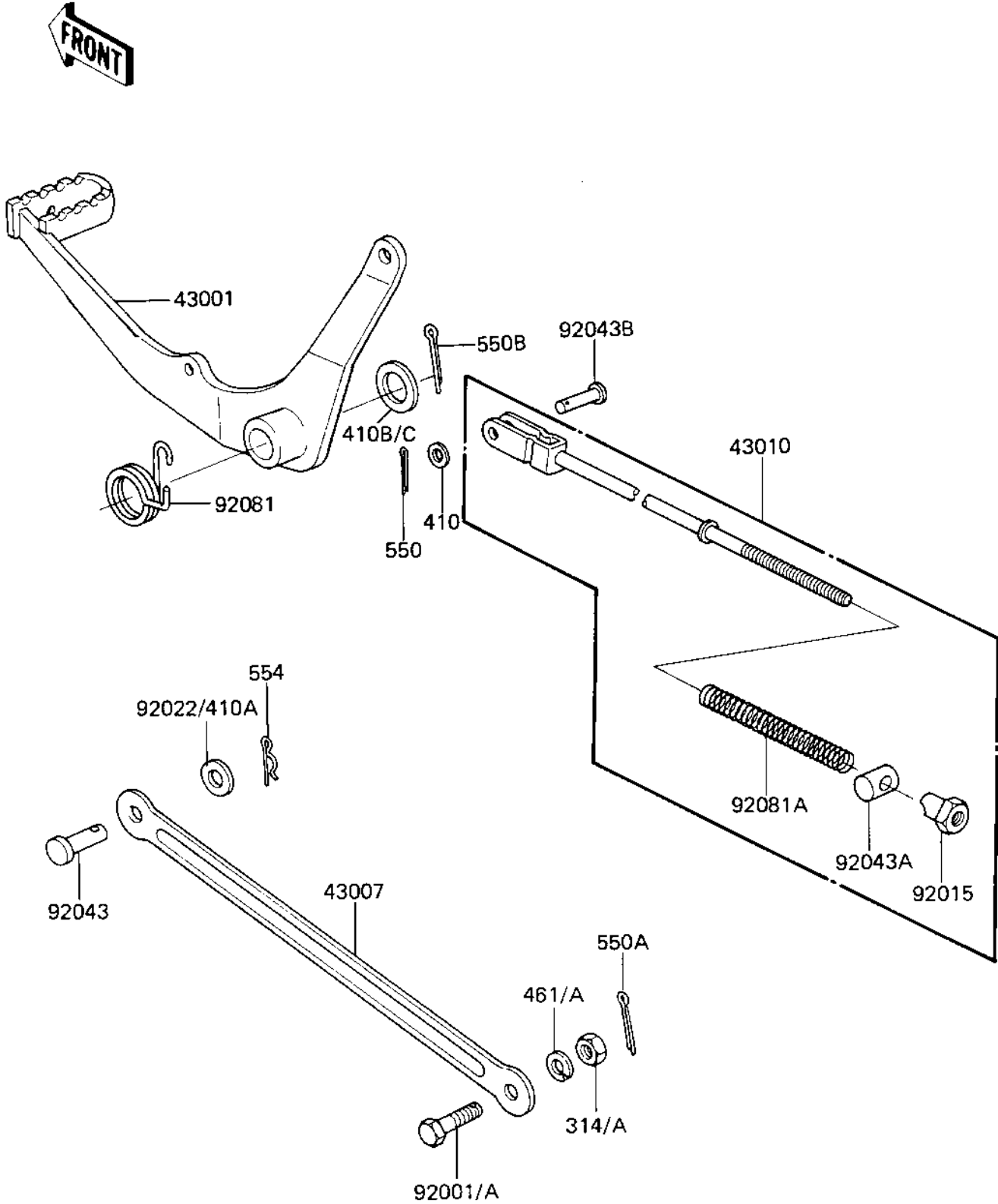


1985 KE100 (Canada Only) PARTS DIAGRAM

BRAKE PEDAL/TORQUE LINK

F2260-0037



1985 KE100 (Canada Only) PARTS LIST

BRAKE PEDAL/TORQUE LINK

ITEM NAME	PART NUMBER	QUANTITY
PEDAL,BRAKE (Ref # 43001)	43001-056	1
TORQUE LINK-RR BRAKE (Ref # 43007)	43007-028	1
BRAKE ROD ASSY (Ref # 43010)	43010-5001	1
BOLT,19X32 (Ref # 92001)	92001-1671	1
NUT-BRAKE ROD ADJUST (Ref # 92015)	92015-042	1
WASHER PLAIN 10MM (Ref # 92022)	410B1000	1
PIN REAR TORQUE LINK (Ref # 92043)	43009-001	1
PIN BRAKE (Ref # 92043A)	92043-039	1
PIN-BRAKE ROD FITTING (Ref # 92043B)	92043-064	1
SPRING BRAKE PEDAL (Ref # 92081)	43005-007	1
SPRING,BRAKE ROD (Ref # 92081A)	43012-001	1
NUT-HEX-FINE,10MM (Ref # 314A)	314C1000	1
WASHER PLAIN 6MM (Ref # 410)	410B0600	1
WASHER-PLANE-SMALL (Ref # 410C)	410F1400	1
WASHER SPRING 10MM (Ref # 461A)	461F1000	1
PIN COTTER 2.0X15 (Ref # 550)	550D2015	1
PIN,COTTER,2.5X15 (Ref # 550A)	550D2515	1
PIN COTTER 3.0X30 (Ref # 550B)	550D3030	1
PIN,SNAP (Ref # 554)	554A0800	1