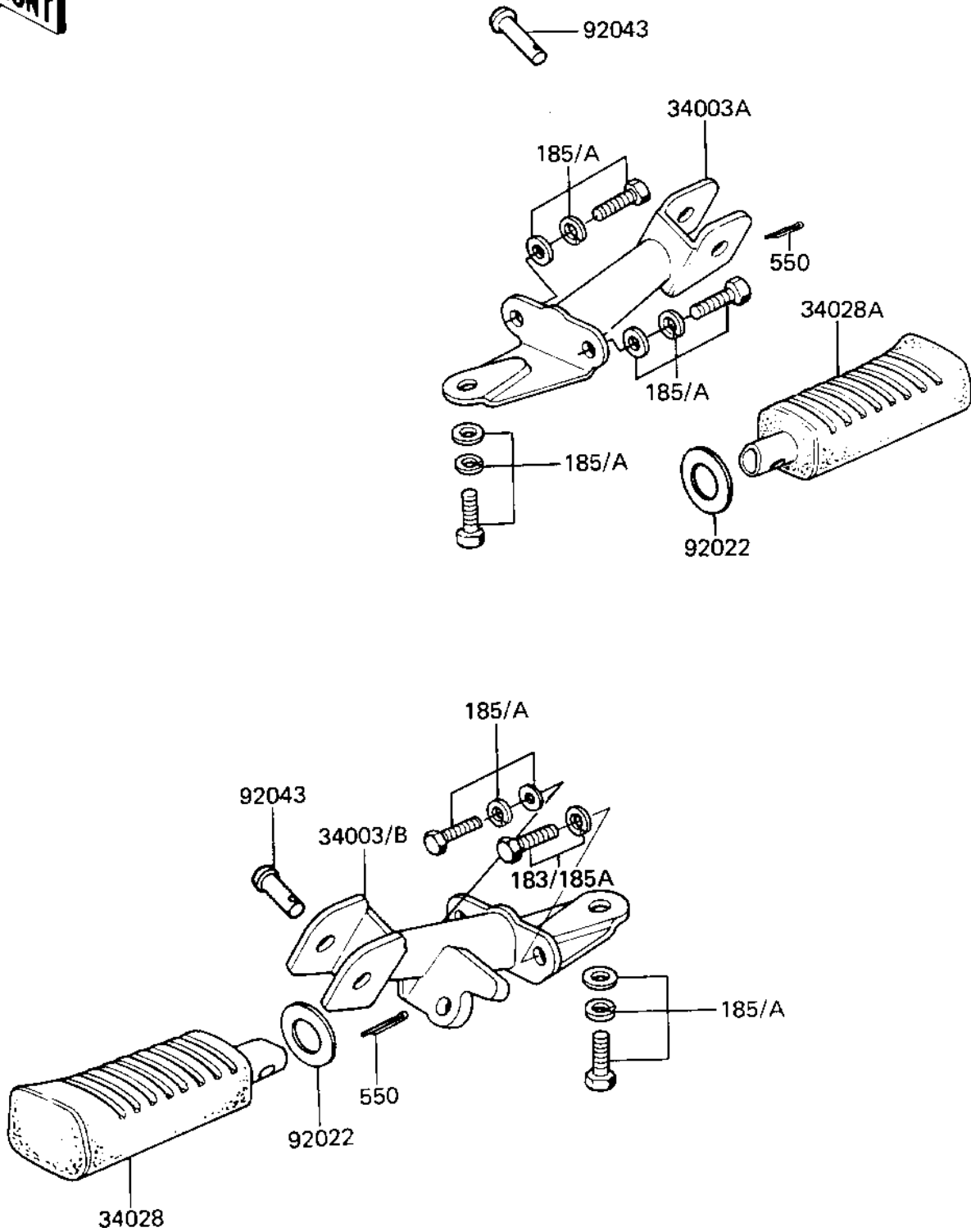


1986 KE100 PARTS DIAGRAM

FOOTRESTS

F2160-0044



1986 KE100 PARTS LIST

FOOTRESTS

ITEM NAME	PART NUMBER	QUANTITY
HOLDER,FOTREST BAR,LH (Ref # 34003)	34003-049	1
HOLDER,FOTREST BAR,RH (Ref # 34003A)	34003-050	1
STEP-ASSY,FR,LH (Ref # 34028)	34027-1114	1
STEP-ASSY,FR,RH (Ref # 34028A)	34027-1115	1
WASHER,PLAIN (Ref # 92022)	92022-250	1
PIN-FOOTREST BAR FIT (Ref # 92043)	92043-080	1
BOLT-UPSET-WS-SMALL (Ref # 183)	183G0816	1
UNAVAILABLE IN PRICE BOOK (Ref # 185)	185G0818	1
PIN-COTTER,2.5X15 (Ref # 550)	550D2515	1