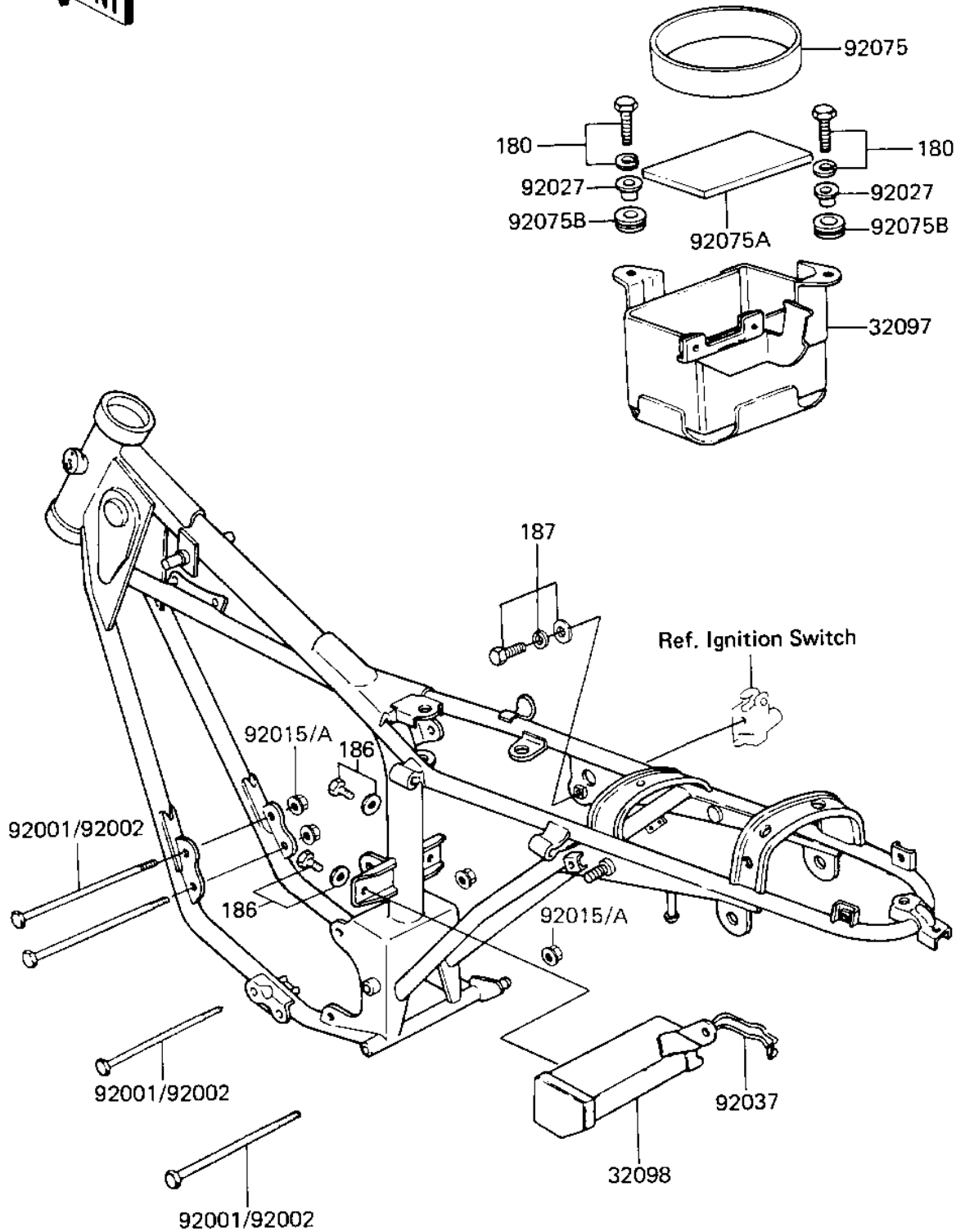


## 1984 KE100 PARTS DIAGRAM

### FRAME FITTINGS

F2131-0066



## 1984 KE100 PARTS LIST

### FRAME FITTINGS

ITEM NAME	PART NUMBER	QUANTITY
CASE,BATTERY (Ref # 32097)	32097-1009	1
CASE-TOOL (Ref # 32098)	32098-018	1
BOLT,10X115 (Ref # 92002)	92002-1072	1
NUT,FLANGED,10MM,BLAC (Ref # 92015A)	92015-1180	1
COLLAR (Ref # 92027)	92027-153	1
MAT-BATTERY SIDE (Ref # 92037)	32103-023	2
MAT,BATTERY (Ref # 92075A)	32103-027	1
DAMPER RUBBER (Ref # 92075B)	92075-051	1
BOLT-UPSET-WS (Ref # 180)	180B0620	1
BOLT (Ref # 186)	186B0614	1
BOLT 6X12 (Ref # 187)	187B0612	1