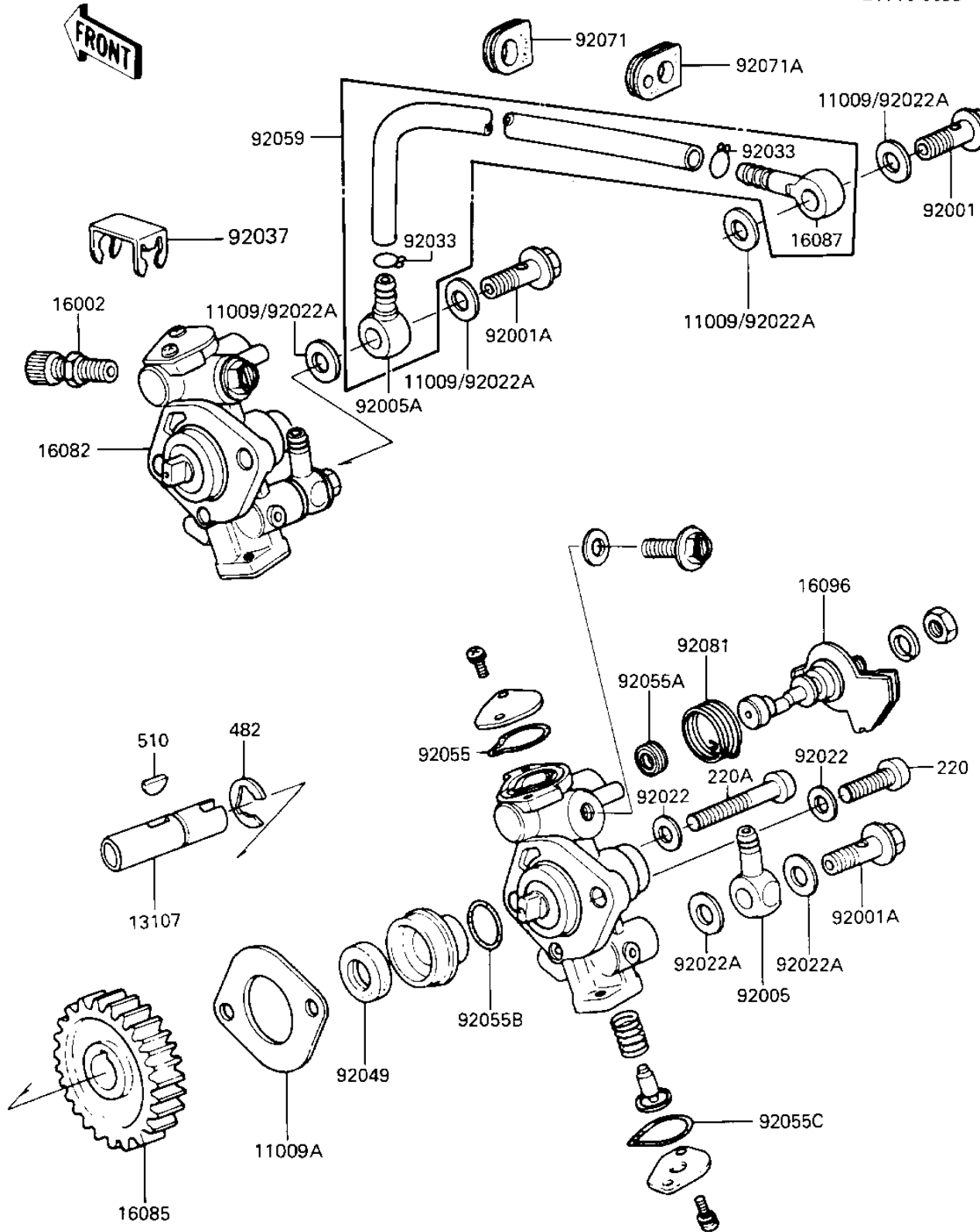


1986 KE100 PARTS DIAGRAM

OIL PUMP

E1710-0033



1986 KE100 PARTS LIST

OIL PUMP

ITEM NAME	PART NUMBER	QUANTITY
GASKET,6X12X1.0 (Ref # 11009)	11009-1298	4
GASKET,OIL PUMP (Ref # 11009A)	11060-1160	1
SHAFT OIL PUMP (Ref # 13107)	16086-001	1
ADJUSTER,CABLE (Ref # 16002)	16002-012	1
PUMP ASSY, OIL (Ref # 16082)	16082-067	1
GEAR OIL PUMP (Ref # 16085)	16085-004	1
VALVE,CHECK (Ref # 16087)	16128-009	1
LEVER,OIL PUMP CABLE (Ref # 16096)	16096-012	1
BOLT BANJO (Ref # 92001)	92060-008	1
BOLT-BANJO,6MM (Ref # 92001A)	92060-013	2
CONNECTOR BANJO (Ref # 92005)	92061-009	1
CONNECTOR,OIL PIPE (Ref # 92005A)	92061-018	1
WASHER OIL PUMP (Ref # 92022)	92022-037	2
WASHER OIL PUMP BANJO (Ref # 92022A)	92022-077	2
CLAMP,OIL PIPE (Ref # 92033)	92036-022	2
CLAMP,OIL PUMP CABLE (Ref # 92037)	92037-1107	1
OIL SEAL OIL PUMP SHT (Ref # 92049)	16091-001	1
"O" RING,UPPER CAP (Ref # 92055)	16088-002	1
SEAL-OIL,CAMSHAFT,"X" (Ref # 92055A)	92049-1294	1
"O" RING,OIL PUMP SHT (Ref # 92055B)	16090-002	1
"O" RING,LOWER CAP (Ref # 92055C)	16090-004	1
PIPE,OIL (Ref # 92059)	16134-021	1
GROMMET WIRING HARN (Ref # 92071)	21017-002	1
GROMMET,OIL PIPE (Ref # 92071A)	92071-067	1
SPRING,OIL PUMP LEVER (Ref # 92081)	16093-006	1
SCREW-PAN-CROS (Ref # 220)	220B0514	1
SCREW PAN CROSS,5X28 (Ref # 220A)	220B0528	1
CIRCLIP 9MM (Ref # 482)	482K9000	1
WOODRUFF KEY (Ref # 510)	510A3100	1