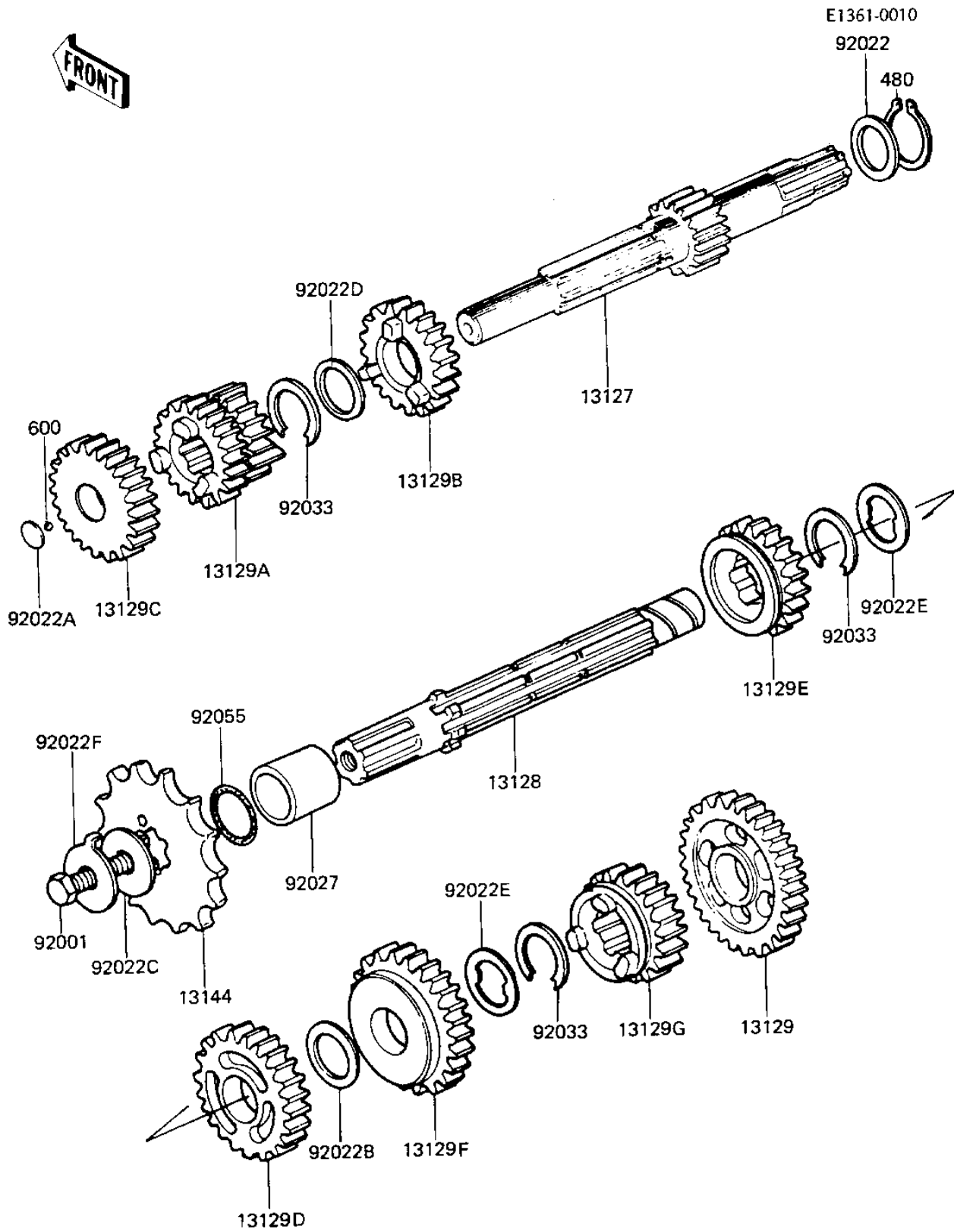


1984 KE100 PARTS DIAGRAM

TRANSMISSION



1984 KE100 PARTS LIST

TRANSMISSION

ITEM NAME	PART NUMBER	QUANTITY
SHAFT,DRIVE (Ref # 13127)	13127-1017	1
SHAFT OUTPUT (Ref # 13128)	13128-021	1
LOW GEAR OUTPUT SHAFT (Ref # 13129)	13129-010	1
2ND&3RD GEAR,DRIVE (Ref # 13129A)	13129-1138	1
4TH GEAR,DRIVE SHAFT (Ref # 13129B)	13129-1139	1
TOP GEAR,DRIVE SHAFT (Ref # 13129C)	13129-1146	1
3RD GEAR,OUTPUT SHAFT (Ref # 13129D)	13129-1148	1
TOP GEAR,OUTPUT SHAFT (Ref # 13129E)	13129-1149	1
GEAR-OUTPUT 2ND,30T (Ref # 13129F)	13129-1642	1
GEAR-TRANSMISSION SPU (Ref # 13129G)	13129-1708	1
ENGINE SPROCKET,1ST (Ref # 13144)	13144-054	1
BOLT,UPSET,8X16 (Ref # 92001)	92001-1368	1
WASHER THRUST (Ref # 92022)	92022-053	1
WASHER THRUST (Ref # 92022A)	92022-115	1
WASHER THRUST (Ref # 92022B)	92022-146	1
WASHER,ENGINE SPRCKT (Ref # 92022C)	92022-266	1
WASHER,PLAIN (Ref # 92022D)	92022-271	1
WASHER-LOCK (Ref # 92022E)	92024-030	1
WASHER,LOCK,8MM (Ref # 92022F)	92030-012	1
COLLAR,ENG SPROCKET (Ref # 92027)	92027-1595	1
CIRCLIP (Ref # 92033)	92033-014	1
"O" RING (Ref # 92055)	92055-022	1
CIRCLIP 16MM (Ref # 480)	480J1600	1
BALL STEEL 7/32' (Ref # 600)	600A0700	1