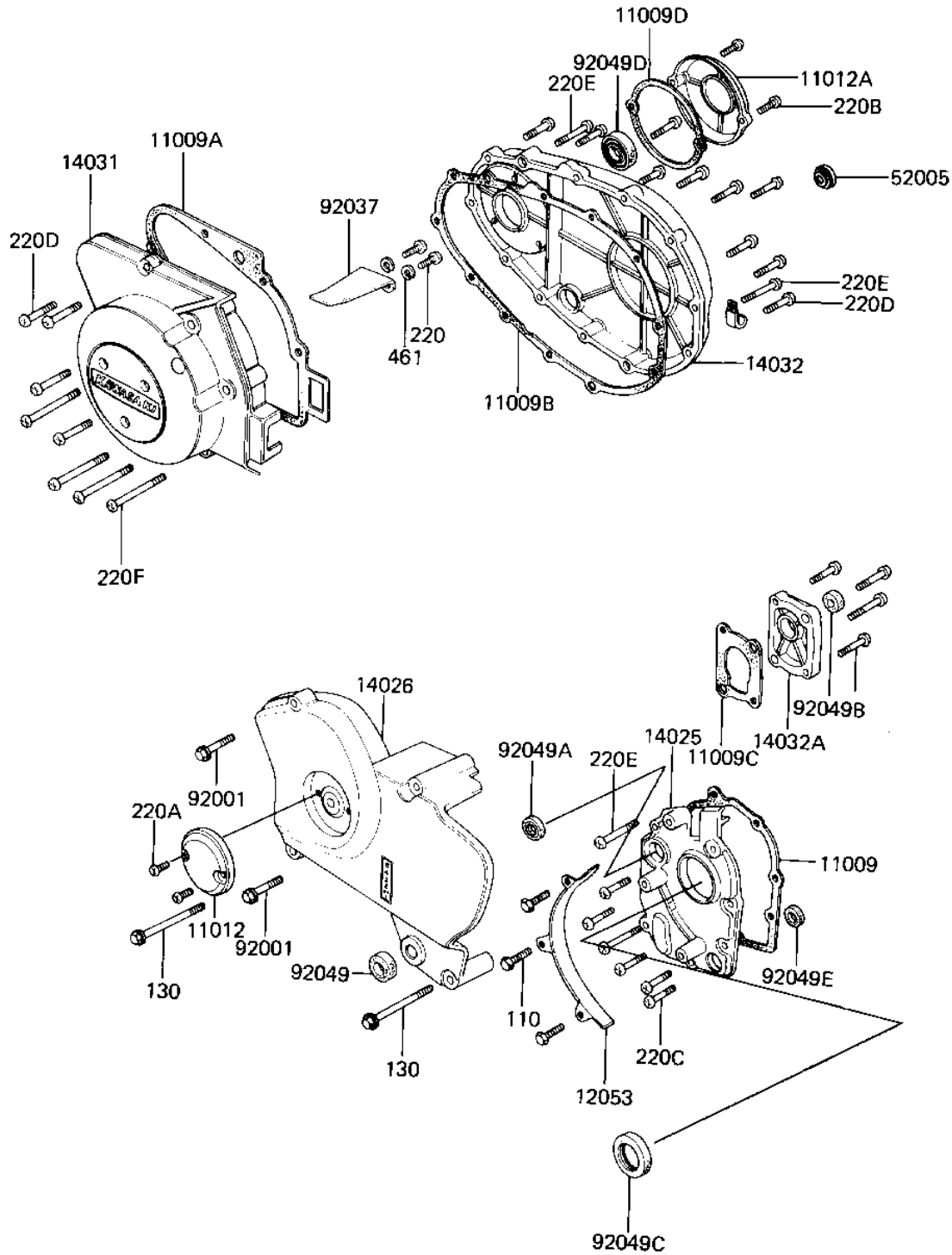


1982 CSR Twin PARTS DIAGRAM

ENGINE COVERS

E1431-0027



1982 CSR Twin PARTS LIST

ENGINE COVERS

ITEM NAME	PART NUMBER	QUANTITY
GASKET,TRANSMISSION (Ref # 11009)	11060-1056	1
GASKET,GENERATOR COV (Ref # 11009A)	11009-1328	1
GASKET,R.H ENGINE CO (Ref # 11009B)	14046-033	1
GASKET,KICK COVER (Ref # 11009C)	14046-034	1
GASKET,BREAKER COVER (Ref # 11009D)	14050-010	1
CAP (Ref # 11012)	11012-1210	1
COVERBRK POINT,BUFF (Ref # 11012A)	14027-019-80	1
GUIDE,CHAIN (Ref # 12053)	12053-1006	1
COVER,MISSION (Ref # 14025)	14024-011	1
COVER-CHAIN (Ref # 14026)	14026-1058	1
COVER,GENERATOR (Ref # 14031)	14031-1044	1
COVER,CLUTCH (Ref # 14032)	14032-1031	1
COVER,KICK (Ref # 14032A)	14032-112-2H	1
GAUGE,OIL LEVEL (Ref # 52005)	52005-1009	1
BOLT, HEX HEAD, 6X34 (Ref # 92001)	92003-159	2
CLAMP,GENERATOR WIRE (Ref # 92037)	92037-1122	1
OIL SEAL,CLUTCH RELE (Ref # 92049)	92049-1003	1
OIL SEAL,SD-8187 (Ref # 92049A)	92049-1017	1
OIL SEAL,SC22325 (Ref # 92049B)	92049-1048	1
OIL SEAL SC325210 (Ref # 92049C)	92050-024	1
OIL SEAL,R.H CRNKSFT (Ref # 92049D)	92050-065	1
OIL SEAL,TB13225.5 (Ref # 92049E)	92051-005	1
BOLT-UPSET 6X14 (Ref # 110)	112B0614	3
BOLT-FLANGED,6X95 (Ref # 130)	130G0695	2
SCREW PAN HEAD 5X12 (Ref # 220)	220B0512	2
SCREW PAN HEAD 6X16 (Ref # 220A)	220B0616	2
SCREW PAN HEAD 6X18 (Ref # 220B)	220B0618	2
SCREW PAN HEAD 6X20 (Ref # 220C)	220B0620	5
SCREW PAN HEAD 6X30 (Ref # 220D)	220B0630	16

1982 CSR Twin PARTS LIST

ENGINE COVERS

ITEM NAME	PART NUMBER	QUANTITY
SCREW PAN HEAD 6X40 (Ref # 220E)	220B0640	6
SCREW PAN HEAD 6X60 (Ref # 220F)	220B0660	4
WASHER SPRING 5MM (Ref # 461)	461F0500	2