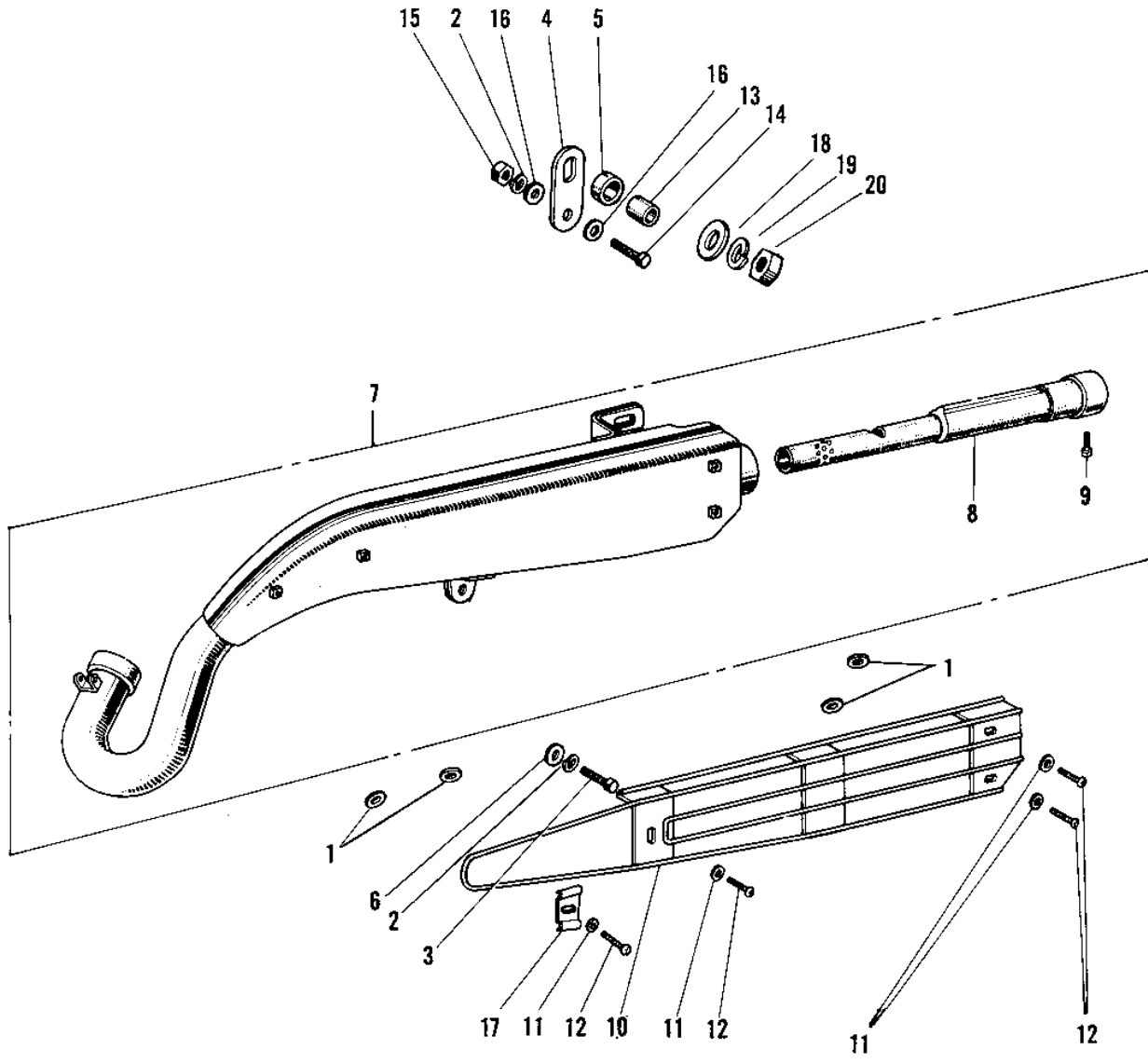


1969 Sidewinder PARTS DIAGRAM

MUFFLER

R
—



1006



1969 Sidewinder PARTS LIST

MUFFLER

ITEM NAME	PART NUMBER	QUANTITY
INSULATOR (Ref # 1)	18065-006	
WASHER SPRING 8MM (Ref # 2)	461F0800	
WASHER SPRING 8MM (Ref # 2)	461F0800	
BOLT-SMALL-UPSET,8X16 (Ref # 3)	115G0816	
STAY MUFFLER (Ref # 4)	18061-021	
UNAVAILABLE IN PRICE BOOK (Ref # 5)	92065-047	
DAMPER RUBBER (Ref # 5)	92075-076	
WASHER PLAIN 8MM (Ref # 6)	410B0800	
MUFFLER ASSY (Ref # 7)	18002-050	
SPARK ARRESTER COMP (Ref # 8)	18033-034	
BOLT-UPSET,6X16 (Ref # 9)	112G0616	
BOLT-UPSET,6X16 (Ref # 9)	112G0616	
COVER MUFFLER (Ref # 10)	18057-030	
WASHER PLAIN 6MM (Ref # 11)	411B0600	
SCREW PAN HEAD 6X10 (Ref # 12)	220E0610	
SPACER MOUNTING (Ref # 13)	92026-049	
BOLT HEX HEAD 8X28 (Ref # 14)	114G0828	
NUT,8MM (Ref # 15)	311B0800	
WASHER PLAIN 8MM (Ref # 16)	411B0800	
HOLDER MUFFLER COVER (Ref # 17)	18073-001	
WASHER PLAIN 10MM (Ref # 18)	411B1000	
WASHER SPRING 10MM (Ref # 19)	461F1000	
NUT,10MM (Ref # 20)	314B1000	
NUT,10MM (Ref # 20)	314B1000	