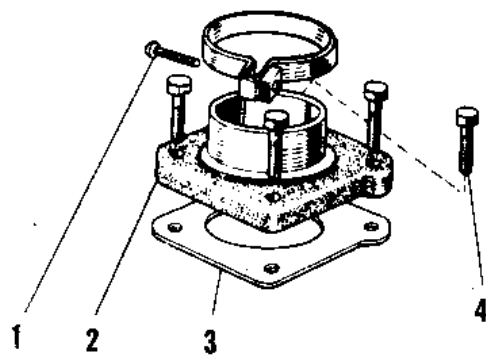
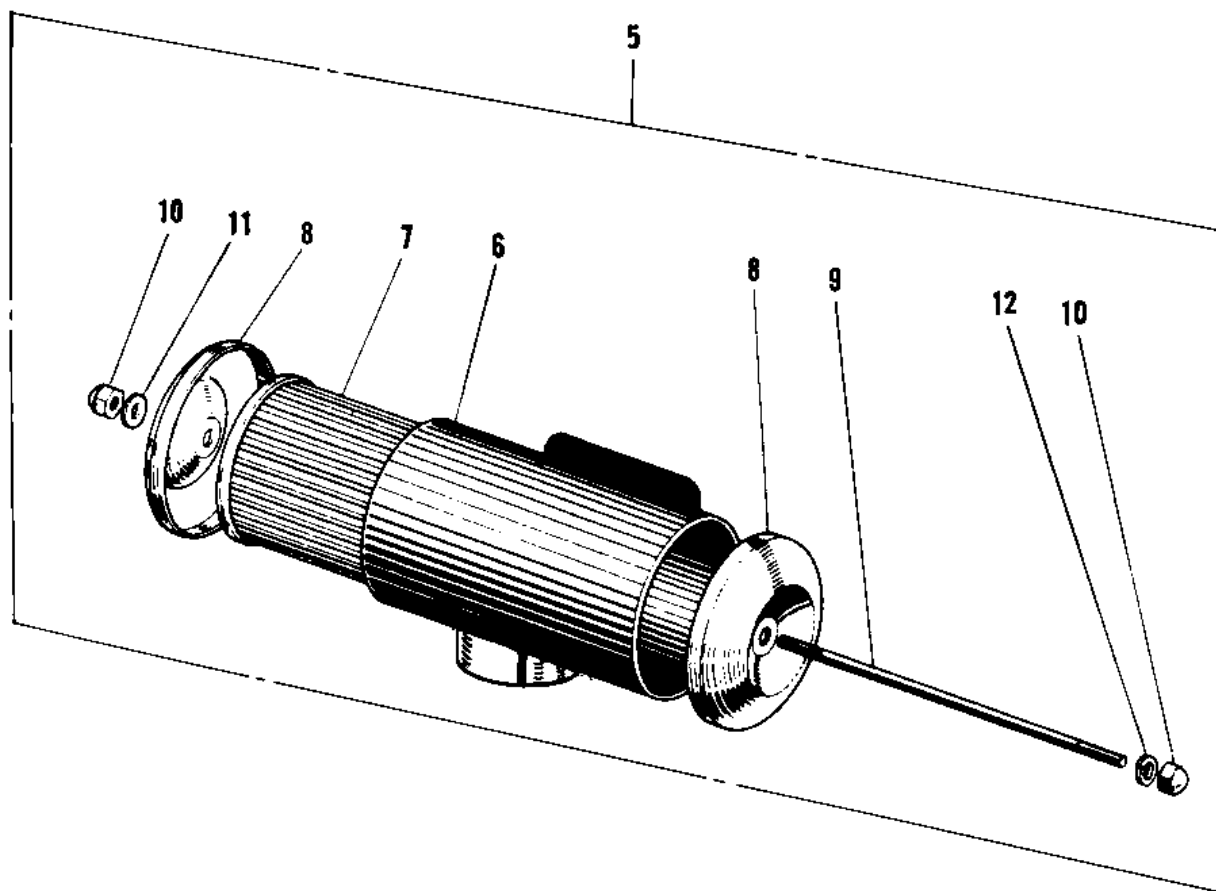


1968 Sidewinder PARTS DIAGRAM

AIR CLEANER



1968 Sidewinder PARTS LIST

AIR CLEANER

ITEM NAME	PART NUMBER	QUANTITY
SCREW PAN HEAD 6X25 (Ref # 1)	220B0625	1
INLET PIPE (Ref # 2)	11015-013	1
INLET PIPE (Ref # 2)	11015-009	1
GASKET INLET PIPE (Ref # 3)	11017-002	1
BOLT-UPSET,6X20 (Ref # 4)	112G0620	1
AIR CLEANER ASSY (Ref # 5)	11010-033	2
BODY AIR CLEANER (Ref # 6)	11011-006	1
BODY,AIR CLEANER (Ref # 6)	11011-006-10	1
ELEMENT AIR CLEANER (Ref # 7)	11013-011	1
CAP AIR CLEANER (Ref # 8)	11012-007	1
BOLT AIRCLEANER (Ref # 9)	92091-016	1
NUT-6MM (Ref # 10)	322N0600	2
WASHER PLAIN 6MM (Ref # 11)	410B0600	1
WASHER SPRING 6MM (Ref # 12)	461F0600	1