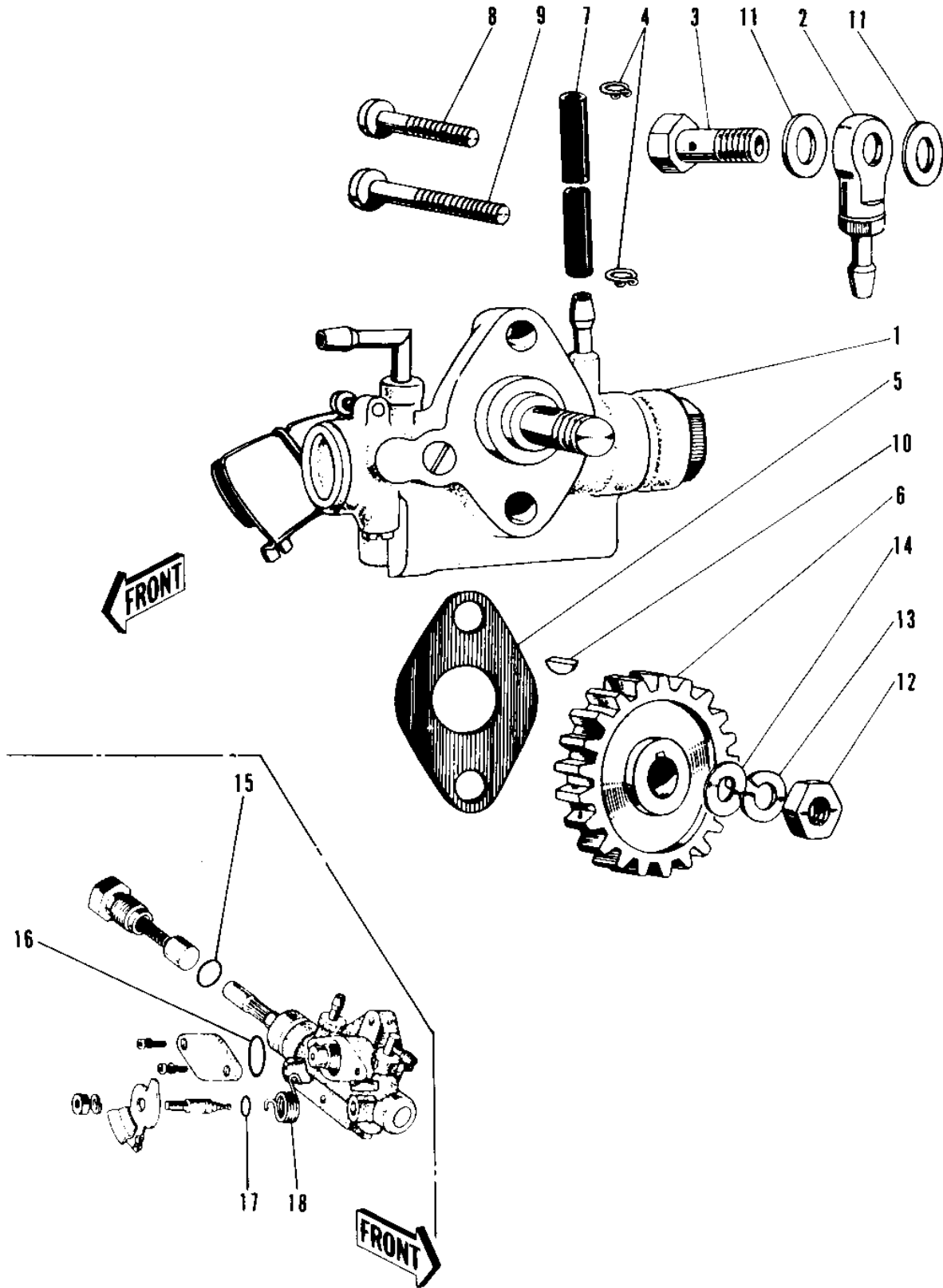


1970 Sidewinder PARTS DIAGRAM

OIL PUMP



1970 Sidewinder PARTS LIST

OIL PUMP

ITEM NAME	PART NUMBER	QUANTITY
OIL PUMP ASSY (Ref # 1)	16082-010	1
CHECK VALVE (Ref # 2)	16087-002	1
BOLT BANJO 8X21 (Ref # 3)	92060-014	2
CLAMP OIL PIPE (Ref # 4)	92037-019	1
GASKET,OIL PUMP (Ref # 5)	11060-1160	1
GEAR OIL PUMP (Ref # 6)	16085-003	1
PIPE OIL (Ref # 7)	92059-049	1
SCREW-PAN-CROS (Ref # 8)	220B0514	2
SCREW PAN CROSS,5X28 (Ref # 9)	220B0528	2
WOODRUFF KEY (Ref # 10)	510A2500	1
GASKET 8MM (Ref # 11)	751P0800	1
NUT 6MM (Ref # 12)	311B0600	1
WASHER SPRING 6MM (Ref # 13)	461F0600	2
WASHER PLAIN 6MM (Ref # 14)	410B0600	1
"O" RING,HOUSING (Ref # 15)	16088-001	1
"O" RING,WORM GEAR (Ref # 16)	16090-001	1
SEAL-OIL,CAMSHAFT,"X" (Ref # 17)	92049-1294	1
SPRING OIL PUMP LEVER (Ref # 18)	16093-001	1