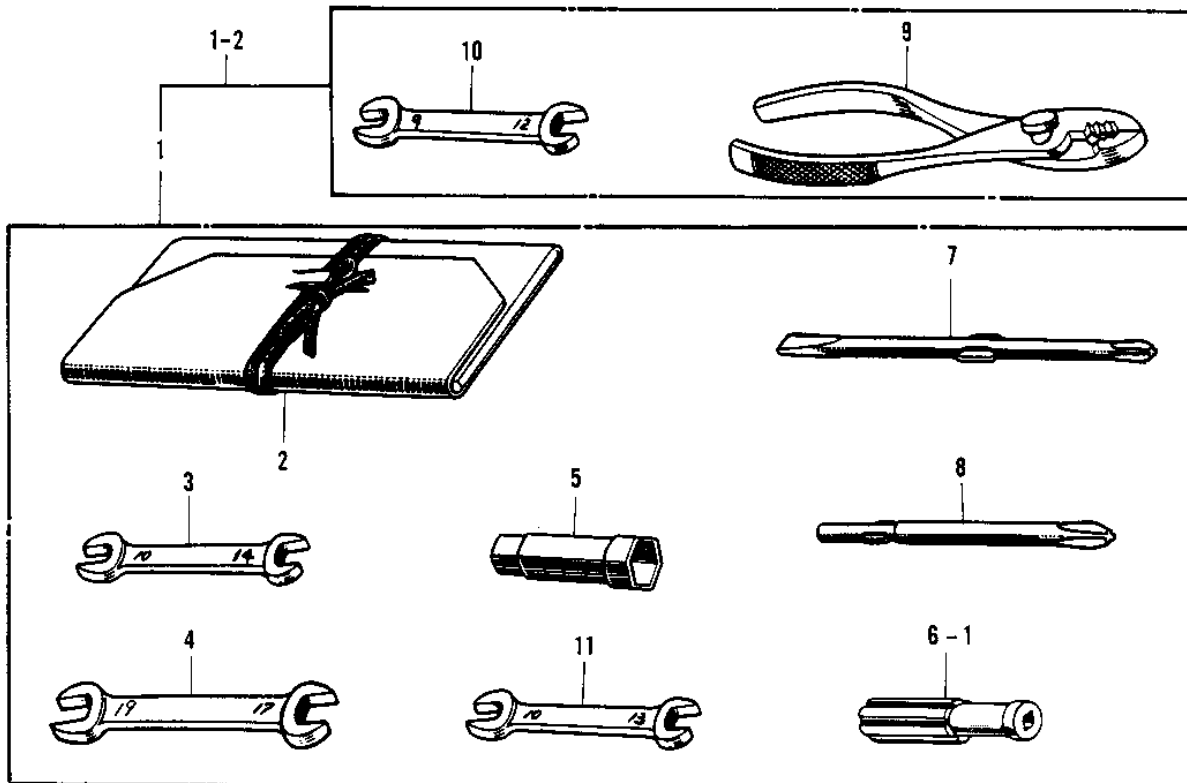
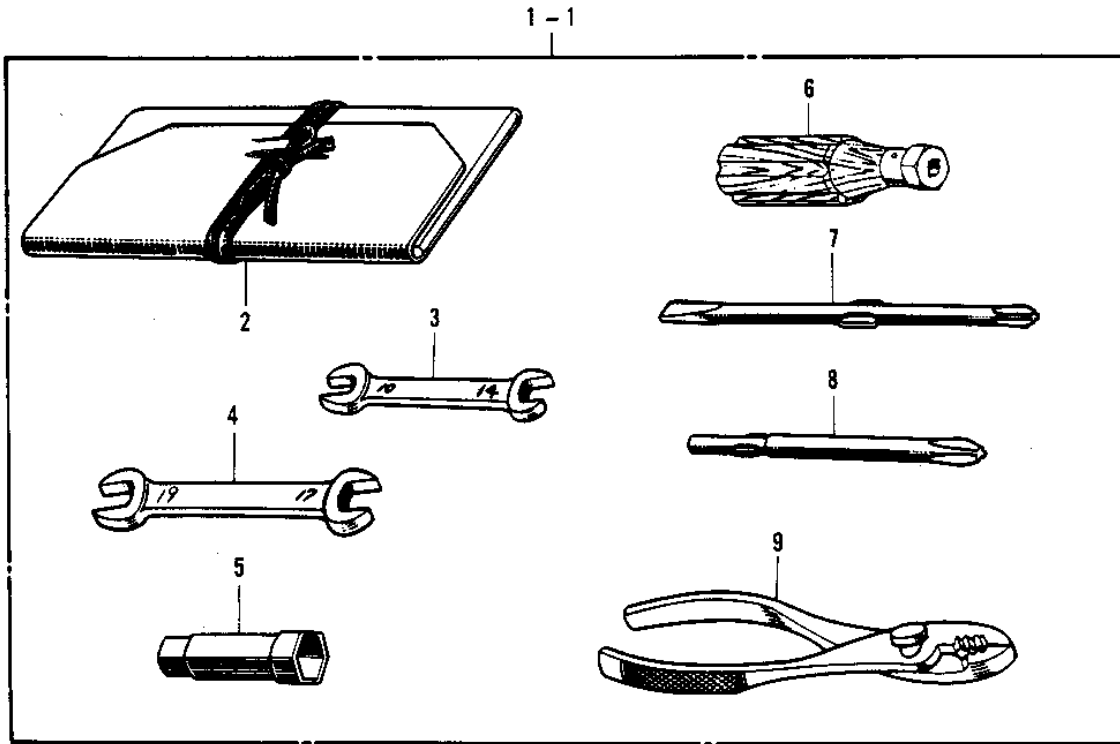


1968 Bushwhacker

PARTS DIAGRAM

OWNER TOOLS



1968 Bushwhacker

PARTS LIST

OWNER TOOLS

| ITEM NAME | PART NUMBER | QUANTITY |
|---------------------------------------|-------------|----------|
| *** N.L.A.*** (Canada) (Ref # 1) | 56007-019 | |
| UNAVAILABLE IN PRICE BOOK (Ref # 1-1) | 56007-021 | |
| UNAVAILABLE IN PRICE BOOK (Ref # 1-2) | 56007-013 | |
| BAG,TOOL (Ref # 2) | 56008-008 | |
| *** N.L.A.*** (Canada) (Ref # 3) | 960B1014 | |
| *** N.L.A.*** (Canada) (Ref # 4) | 960B1719 | |
| 92110-012 (Canada) (Ref # 5) | 92110-003 | |
| UNAVAILABLE IN PRICE BOOK (Ref # 6) | 92106-003 | |
| 92106-1001 (Canada) (Ref # 6-1) | 92106-002 | |
| TOOL-DRIVER (Ref # 7) | 92107-1052 | |
| SCREW DRIVER #3 PHLIP (Ref # 8) | 92107-005 | |
| 92112-003 (Canada) (Ref # 9) | 92112-001 | |
| WRENCH OPEN END 9X12 (Ref # 10) | 960B0912 | |
| UNAVAILABLE IN PRICE BOOK (Ref # 11) | 960B1013 | |