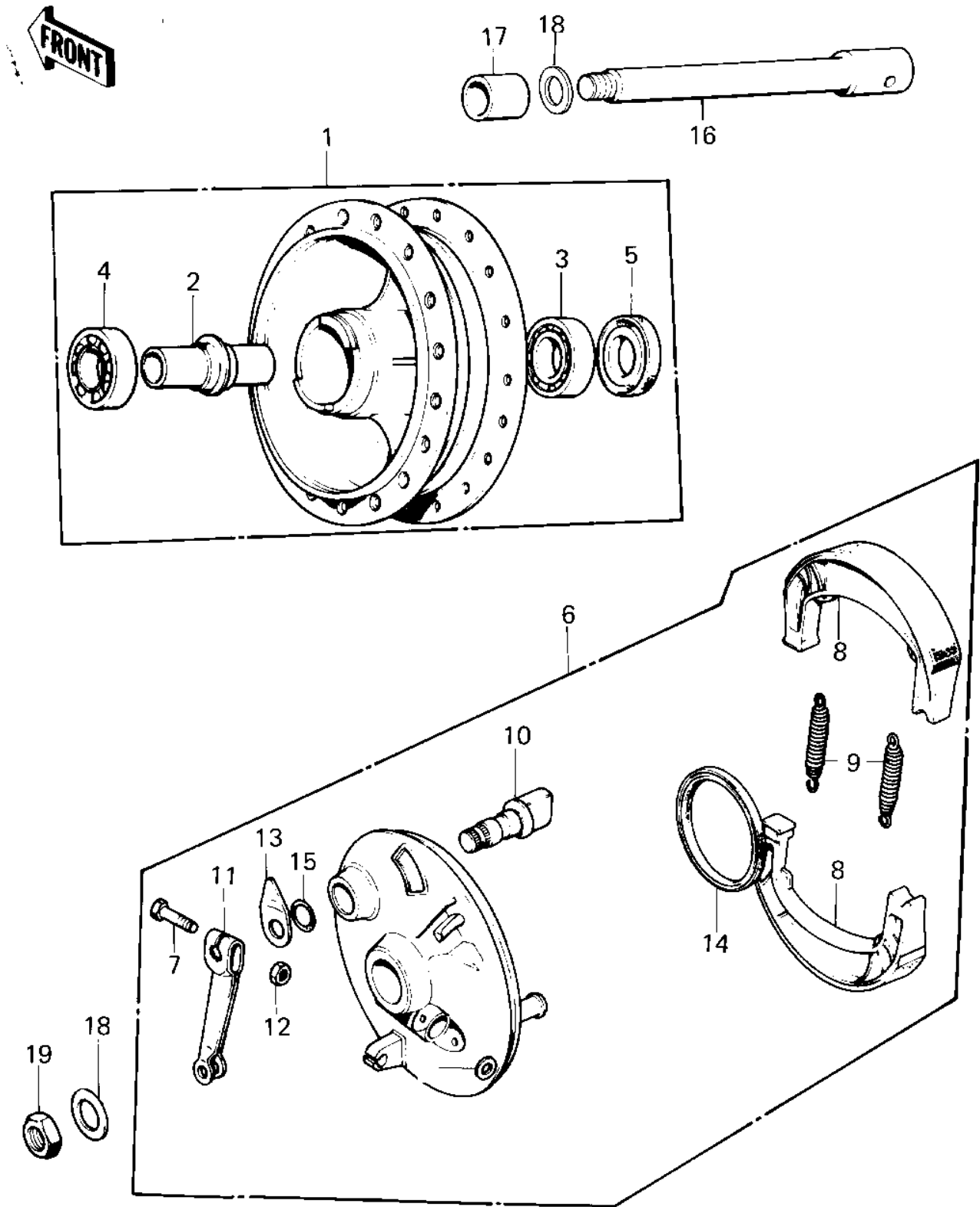


# 1981 KD80 PARTS DIAGRAM

FRONT HUB/BRAKE



# 1981 KD80 PARTS LIST

## FRONT HUB/BRAKE

ITEM NAME	PART NUMBER	QUANTITY
DRUM-ASSY,FR BRK (Ref # 1)	41034-1040	
SPACER FRONT HUB (Ref # 2)	41039-002	
BEARING BALL #6200 (Ref # 3)	601B6200	
BEARING BALL #6300Z (Ref # 4)	601B6300Z	
OIL SEAL,TC17317 (Ref # 5)	92050-063	
PANEL-ASY,FR BRK BUFF (Ref # 6)	41035-069-80	
BOLT-UPSET (Ref # 7)	112G0630	
SHOE-BRAKE (Ref # 8)	41048-1085	
SPRING,BRAKE SHOE (Ref # 9)	92081-1766	
CAM SHAFT-FRONT BRAKE (Ref # 10)	41050-018	
LEVER FRONT BRAKE CAM (Ref # 11)	41053-005	
NUT,6MM (Ref # 12)	41072-007	
INDICATOR,FR BK SHOE (Ref # 13)	41085-013	
OIL SEAL BRAKE PANEL (Ref # 14)	92050-002	
"O" RING,11MM (Ref # 15)	92055-004	
AXLE-FRONT (Ref # 16)	41068-039	
COLLAR,FRONT AXLE (Ref # 17)	41069-026	
WASHER PLAIN 10MM (Ref # 18)	411B1000	
NUT 10MM (Ref # 19)	42045-005	