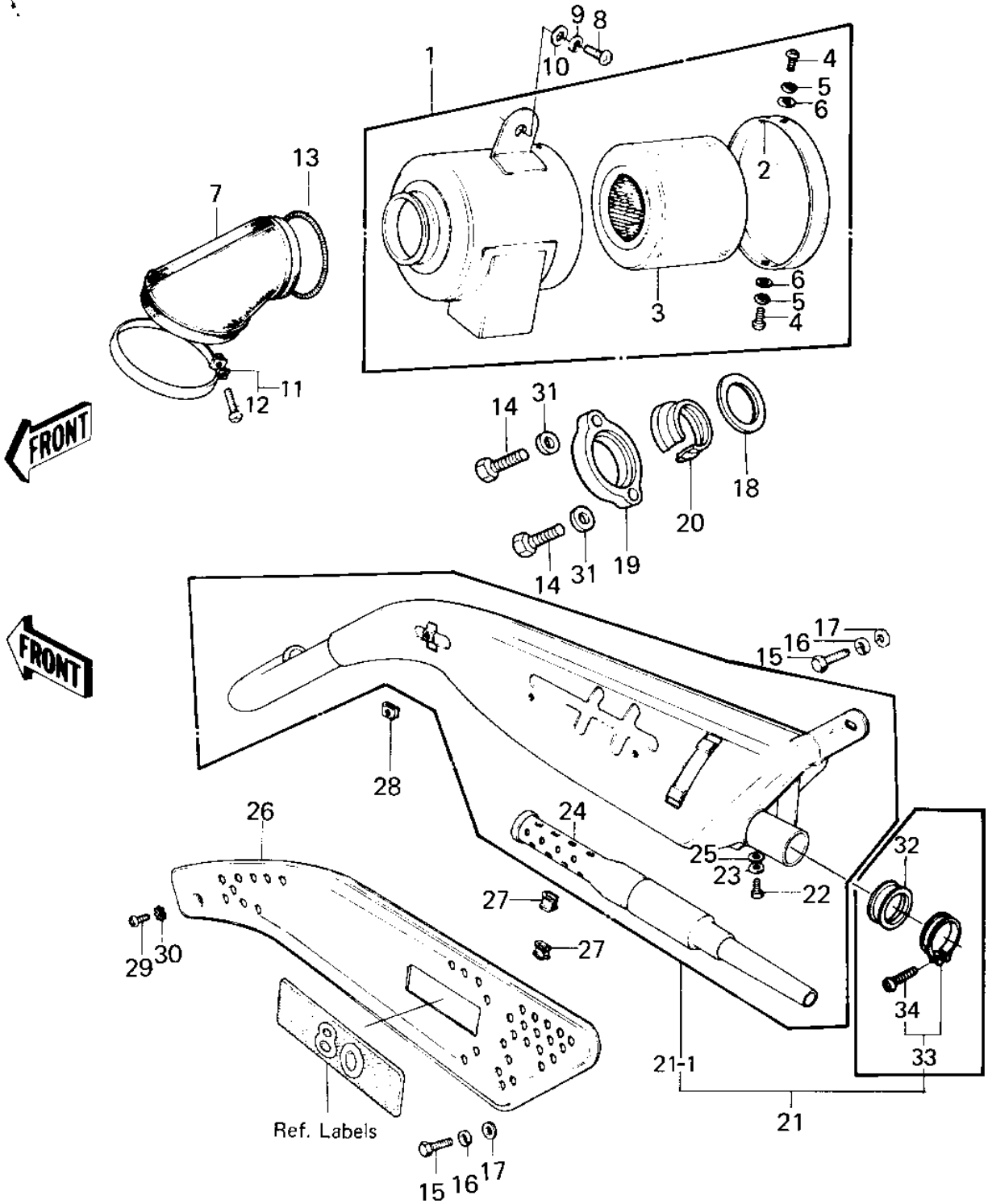


1980 KD80 PARTS DIAGRAM

AIR CLEANER/MUFFLER



1980 KD80 PARTS LIST

AIR CLEANER/MUFFLER

| ITEM NAME | PART NUMBER | QUANTITY |
|----------------------------------|--------------|----------|
| AIR CLEANER ASY,BLACK (Ref # 1) | 11010-068-10 | 1 |
| CAP,AIR CLEANER (Ref # 2) | 11012-041 | 1 |
| ELEMENT,AIR,CLNR (Ref # 3) | 11013-044 | 1 |
| SCREW PAN HEAD 5X8 (Ref # 4) | 220B0508 | 2 |
| WASHER SPRING 5MM (Ref # 5) | 461F0500 | 2 |
| WASHER PLAIN 5MM (Ref # 6) | 410B0500 | 2 |
| CONNECTOR,AIR CLEANER (Ref # 7) | 11026-009 | 1 |
| SCREW PAN HEAD 6X12 (Ref # 8) | 220B0612 | 1 |
| WASHER SPRING 6MM (Ref # 9) | 461F0600 | 1 |
| WASHER PLAIN 6MM (Ref # 10) | 410B0600 | 1 |
| CLAMP-AIR CLEANER (Ref # 11) | 92037-068 | 1 |
| SCREW PAN HEAD 6X35 (Ref # 12) | 220B0635 | 1 |
| SPRING COIL (Ref # 13) | 92081-047 | 1 |
| BOLT-UPSET,6X35 (Ref # 14) | 112G0635 | 2 |
| BOLT-SMALL-UPSET,8X16 (Ref # 15) | 115G0816 | 2 |
| BOLT-SMALL-UPSET,8X16 (Ref # 15) | 115G0816 | 2 |
| WASHER SPRING 8MM (Ref # 16) | 461F0800 | 2 |
| WASHER PLAIN 8MM (Ref # 17) | 411B0800 | 2 |
| GASKET,EXHAUST PIPE H (Ref # 18) | 11009-1866 | 1 |
| HOLDER,EX PIPE,BLACK (Ref # 19) | 18069-035-21 | 1 |
| INSERT-EXHAUST HOLDER (Ref # 20) | 18070-005 | 1 |
| MUFFLER ASSY (Ref # 21) | 18001-1113 | 1 |
| MUFFLER (Ref # 21-1) | 18001-5116 | 1 |
| BOLT,6X10 (Ref # 22) | 112G0610 | 2 |
| WASHER PLAIN 6MM (Ref # 23) | 410B0600 | 2 |
| BAFFLE TUBE (Ref # 24) | 49099-1027 | 1 |
| WASHER-PLAIN (Ref # 25) | 92022-183 | 2 |
| COVER,MUFFLER (Ref # 26) | 18064-018 | 1 |
| INSULATOR (Ref # 27) | 18065-007 | 2 |

1980 KD80 PARTS LIST

AIR CLEANER/MUFFLER

| ITEM NAME | PART NUMBER | QUANTITY |
|----------------------------------|-------------|----------|
| INSULATOR-HEAT (Ref # 28) | 18065-009 | 1 |
| SCREW PAN HEAD 6X12 (Ref # 29) | 220B0612 | 1 |
| WASHER LOCK 6MM (Ref # 30) | 463H0600 | 1 |
| WASHER SPRING 6MM (Ref # 31) | 461F0600 | 2 |
| CONNECTOR,BAFFLETUBE (Ref # 32) | 92093-1042 | 1 |
| CONNECTOR,BAFFLETUBE (Ref # 32) | 92093-1042 | 1 |
| CLAMP,CARBURETOR HLDR (Ref # 33) | 92037-178 | 1 |
| SCREW-PAN-CROS,5X25 (Ref # 34) | 220B0525 | 1 |