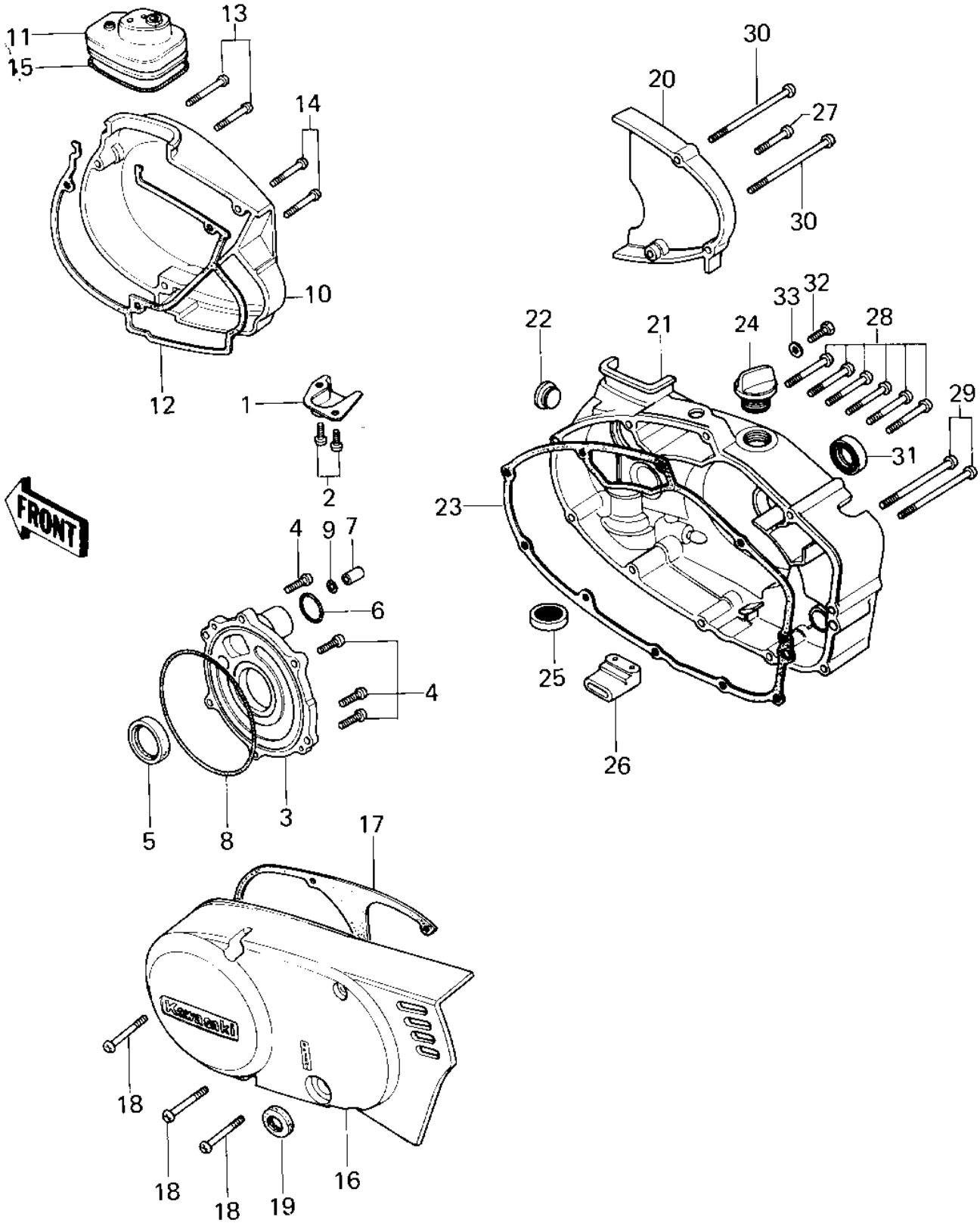


1980 KD80 PARTS DIAGRAM

ENGINE COVERS



1980 KD80 PARTS LIST

ENGINE COVERS

ITEM NAME	PART NUMBER	QUANTITY
COVER,CLUTCH CABLE (Ref # 1)	14025-1137	1
SCREW PAN HEAD 6X12 (Ref # 2)	220B0612	2
COVER,ROTRY DISC VALV (Ref # 3)	14019-056	1
SCREW PAN HEAD 6X20 (Ref # 4)	220B0620	6
SEAL-OIL (Ref # 5)	92049-1250	1
"O" RING,26MM (Ref # 6)	670B3026	1
PIN DOWEL 8X16 (Ref # 7)	92042-017	1
"O" RING,100MM (Ref # 8)	92055-010	1
"O" RING,8MM (Ref # 9)	92055-029	1
COVER,CARBURETOR (Ref # 10)	14030-1011	1
CAP,CARBURETOR (Ref # 11)	14038-035	1
GASKET,CARBURETOR COV (Ref # 12)	11060-1201	1
SCREW PAN HEAD 6X20 (Ref # 13)	220B0620	2
SCREW PAN HEAD 6X35 (Ref # 14)	220B0635	1
SPRING COIL (Ref # 15)	92081-047	1
COVER,L.H.ENGINE (Ref # 16)	14031-1043	1
GASKET,GENERATOR COVE (Ref # 17)	11060-1202	1
SCREW PAN HEAD 6X45 (Ref # 18)	220B0645	3
OIL SEAL SB12205 (Ref # 19)	92049-004	1
COVER,OIL PUMP (Ref # 20)	14025-1185	1
COVER,R.H.ENGINE (Ref # 21)	14032-1029	1
CAP CARB MOUNT HOLE (Ref # 22)	14039-001	1
GASKET,CLUTCH COVER (Ref # 23)	11060-1198	1
FILLER,OIL (Ref # 24)	16115-018	1
DRAIN,FUEL (Ref # 25)	16116-006	1
GROMMET,OVER FLOW (Ref # 26)	16136-007	1
SCREW PAN HEAD 6X20 (Ref # 27)	220B0620	1
SCREW PAN HEAD 6X30 (Ref # 28)	220B0630	6
SCREW PAN HEAD 6X45 (Ref # 29)	220B0645	2

1980 KD80 PARTS LIST

ENGINE COVERS

ITEM NAME	PART NUMBER	QUANTITY
SCREW PAN HEAD 6X75 (Ref # 30)	220B0675	2
OIL SEAL TB14257 (Ref # 31)	653B142507	1
BOLT,HEX HEAD,6X14 (Ref # 32)	92001-121	1
WASHER OIL PUMP BANJO (Ref # 33)	92022-077	1