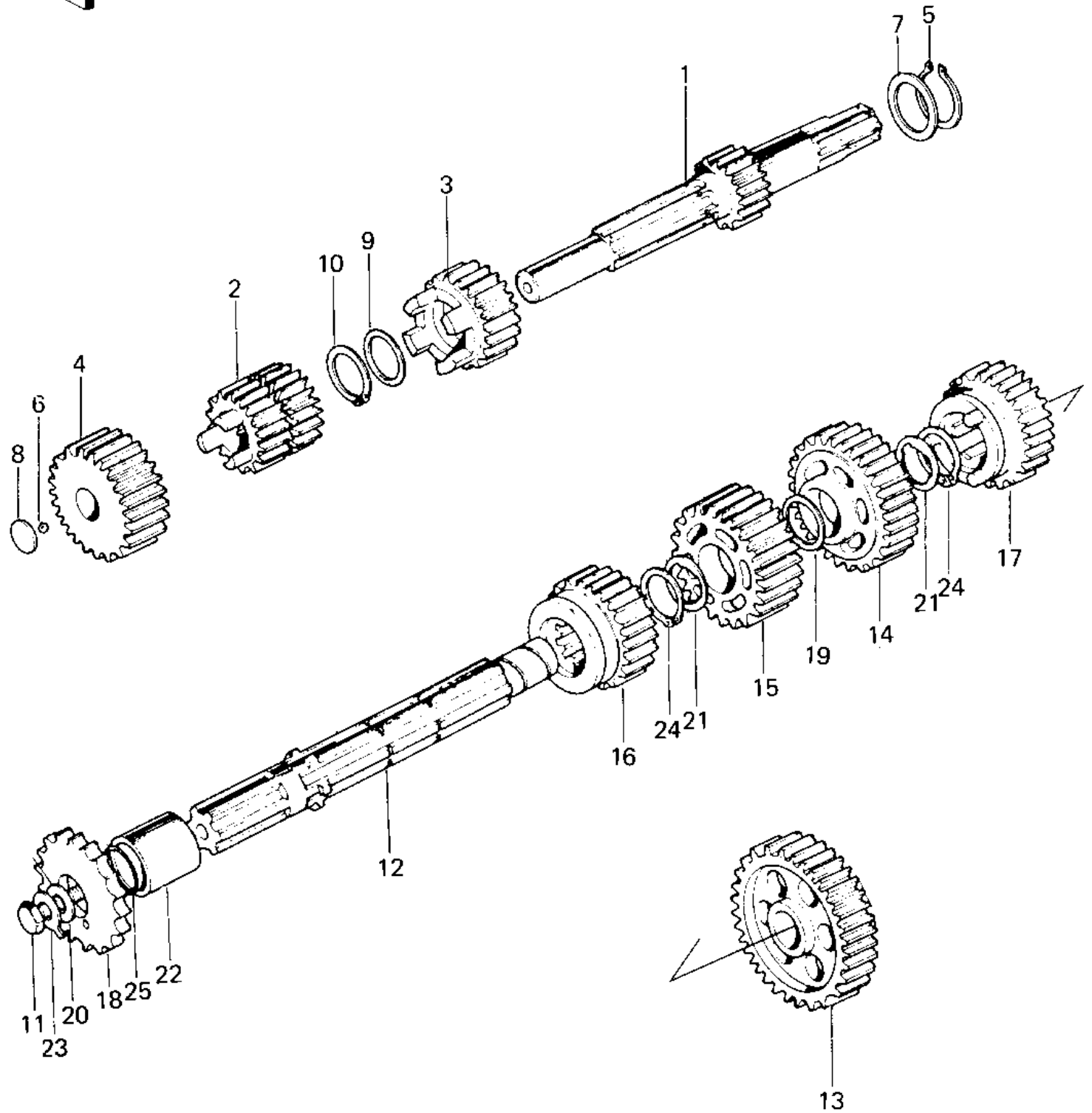


# 1980 KD80 PARTS DIAGRAM

TRANSMISSION



# 1980 KD80 PARTS LIST

## TRANSMISSION

ITEM NAME	PART NUMBER	QUANTITY
SHAFT,DRIVE (Ref # 1)	13127-1017	1
2ND&3RD GEAR,DRIVE (Ref # 2)	13129-1052	1
4TH GEAR,DRIVE (Ref # 3)	13129-1053	1
GEAR,INPUT TOP,24T (Ref # 4)	13129-1927	1
CIRCLIP 16MM (Ref # 5)	480J1600	1
BALL STEEL 7/32' (Ref # 6)	600A0700	1
WASHER THRUST (Ref # 7)	92022-053	1
WASHER THRUST (Ref # 8)	92022-115	1
WASHER THRUST (Ref # 9)	92022-118	1
CIRCLIP (Ref # 10)	92033-014	1
BOLT-SMALL-UPSET,8X16 (Ref # 11)	115G0816	1
BOLT,UPSET,8X16 (Ref # 11)	92001-1368	1
SHAFT OUTPUT (Ref # 12)	13128-021	1
LOW GEAR OUTPUT SHAFT (Ref # 13)	13129-010	1
2ND GEAR OUTPUT SHAFT (Ref # 14)	13131-008	1
3RD GEAR OUTPUT SHAFT (Ref # 15)	13133-005	1
TOP GEAR OUTPUT SHAFT (Ref # 16)	13137-012	1
GEAR-TRANSMISSION SPU (Ref # 17)	13129-1708	1
SPROCKET-OUTPUT,14T (Ref # 18)	13144-1058	1
ENGINE SPROCKET,1ST (Ref # 18)	13144-054	1
ENGINE SPROCKET,13T (Ref # 18)	13144-053	1
WASHER THRUST (Ref # 19)	92022-146	1
WASHER,ENGINE SPRCKT (Ref # 20)	92022-266	1
WASHER-LOCK (Ref # 21)	92024-030	2
COLLAR,ENG SPROCKET (Ref # 22)	92027-1595	1
WASHER,LOCK,8MM (Ref # 23)	92030-012	1
CIRCLIP (Ref # 24)	92033-014	2
"0" RING (Ref # 25)	92055-022	1