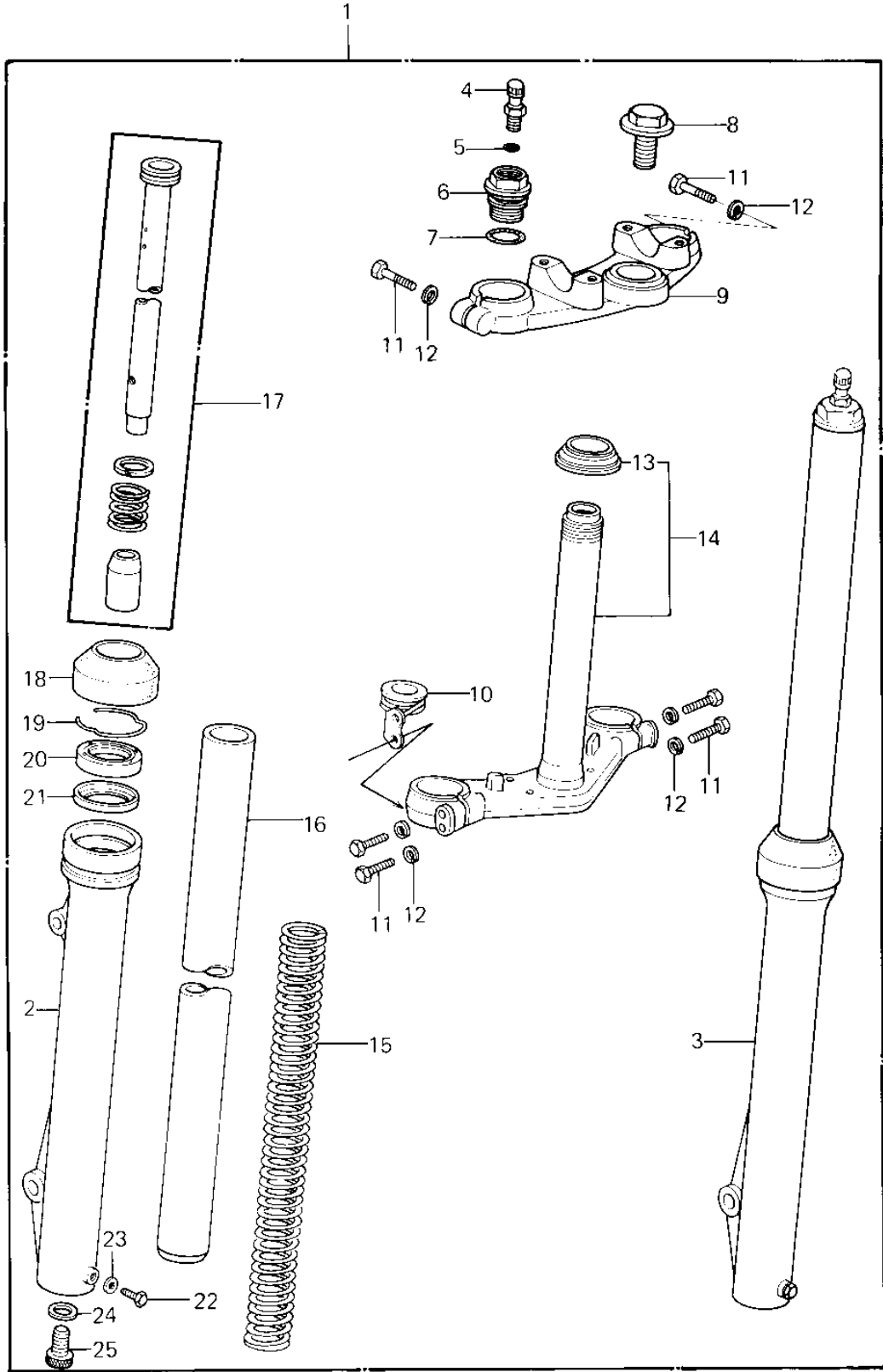


1982 KX80 PARTS DIAGRAM

FRONT FORK



1982 KX80 PARTS LIST

FRONT FORK

| ITEM NAME | PART NUMBER | QUANTITY |
|---------------------------------|-------------|----------|
| FORK-FRONT (Ref # 1) | 44001-1259 | 1 |
| TUBE,LH,FORK OUTER (Ref # 2) | 44005-1065 | 1 |
| TUBE,RH,FORK OUTER (Ref # 3) | 44006-1065 | 1 |
| VALVE ASSY,AIR (Ref # 4) | 16126-1025 | 2 |
| "0" RING,AIR VALVE (Ref # 5) | 92055-1018 | 2 |
| BOLT, FORK TOP (Ref # 6) | 44029-1022 | 2 |
| "0" RING,FORK TOP BOL (Ref # 7) | 92055-1101 | 2 |
| BOLT,STEERING STEM (Ref # 8) | 92001-1318 | 1 |
| HEAD STEERING STEM (Ref # 9) | 44039-1041 | 1 |
| CLAMP,CABLE (Ref # 10) | 92072-1039 | 1 |
| BOLT,HEX HEAD,8X40 (Ref # 11) | 92001-1063 | 6 |
| WASHER SPRING 8MM (Ref # 12) | 461F0800 | 6 |
| CONE STERNG BERG LOW (Ref # 13) | 92047-010 | 1 |
| STEM,STEERING (Ref # 14) | 44037-1037 | 1 |
| SPRING,FORK,INNER (Ref # 15) | 44026-1096 | 2 |
| TUBE,FORK INNER (Ref # 16) | 44013-1054 | 2 |
| CYLINDER-FORK (Ref # 17) | 44022-1050 | 2 |
| DUST SHIELD (Ref # 18) | 92093-1054 | 2 |
| CIRCLIP (Ref # 19) | 92033-1062 | 2 |
| OIL SEAL (Ref # 20) | 92049-1069 | 2 |
| SPACER,FORK OUTER (Ref # 21) | 92026-1041 | 2 |
| BOLT HEX HEAD 6X8 (Ref # 22) | 110B0608 | 2 |
| GASKET,DRAIN PLUG (Ref # 23) | 44045-047 | 2 |
| GASKET,FORK CYL BOLT (Ref # 24) | 44045-051 | 2 |
| BOLT,FORK CYLINDER (Ref # 25) | 44041-078 | 2 |