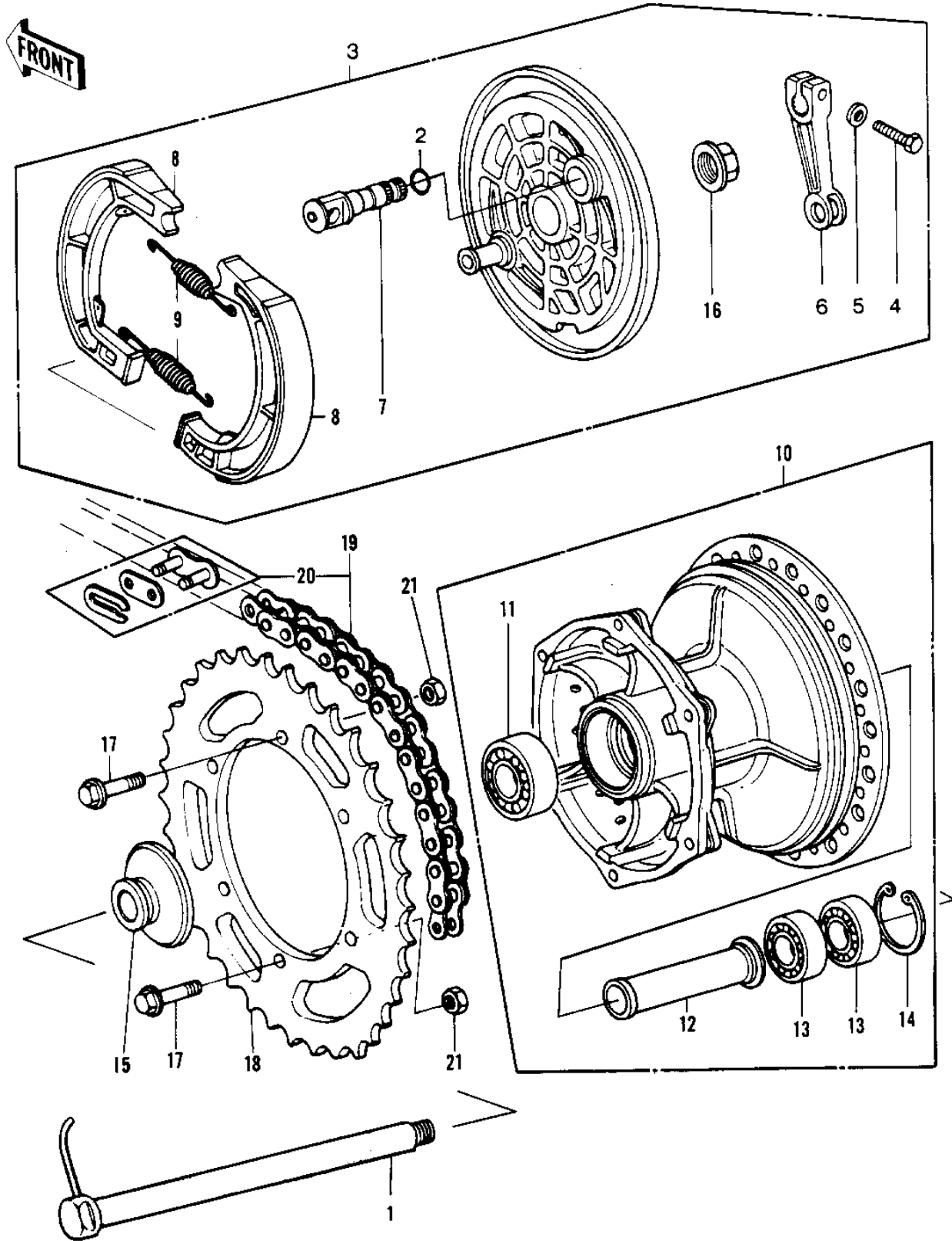


1981 KDX250 PARTS DIAGRAM

REAR HUB/BRAKE/CHAIN (81KDX250-B1)



1981 KDX250 PARTS LIST

REAR HUB/BRAKE/CHAIN ('81KDX250-B1)

ITEM NAME	PART NUMBER	QUANTITY
AXLE,REAR (Ref # 1)	41068-4002	1
"O" RING,15MM (Ref # 2)	670B2015	1
PANEL-ASY,RR BRK (Ref # 3)	41035-1047	1
BOLT-UPSET (Ref # 4)	112G0622	1
WASHER PLAIN 6MM (Ref # 5)	410B0600	1
LEVER BRAKE CAM (Ref # 6)	41053-1022	1
CAME-BRAKE (Ref # 7)	41050-1018	1
SHOE-BRAKE (Ref # 8)	41048-1018	2
SPRING-BRAKE SHOE (Ref # 9)	42020-004	2
DRUM-ASSY,RR BRK (Ref # 10)	41034-1019	1
BEARING,BALL,6204UUC3 (Ref # 11)	601B6204UU	1
COLLAR,REAR BRAKE (Ref # 12)	92027-1207	1
BEARING-BALL,#6003UC3 (Ref # 13)	601B6003U	2
CIRCLIP,35MM (Ref # 14)	481J3500	1
COLLAR (Ref # 15)	92027-4013	1
NUT,16M/M (Ref # 16)	92015-1015	1
BOLT,HEX HEAD,8X36 (Ref # 17)	92001-1041	6
REAR SPROCKET,50T STD (Ref # 18)	42041-1006	1
REAR SPROCKET,48T (Ref # 18)	42041-1022	(1
REAR,SPROCKET,52T (Ref # 18)	42041-1008	(1
DR CHAIN 520X116 (Ref # 19)	92057-1028	1
CHAIN JOINT 520 (Ref # 20)	92058-1002	1
NUT,8MM (Ref # 21)	92015-1134	6