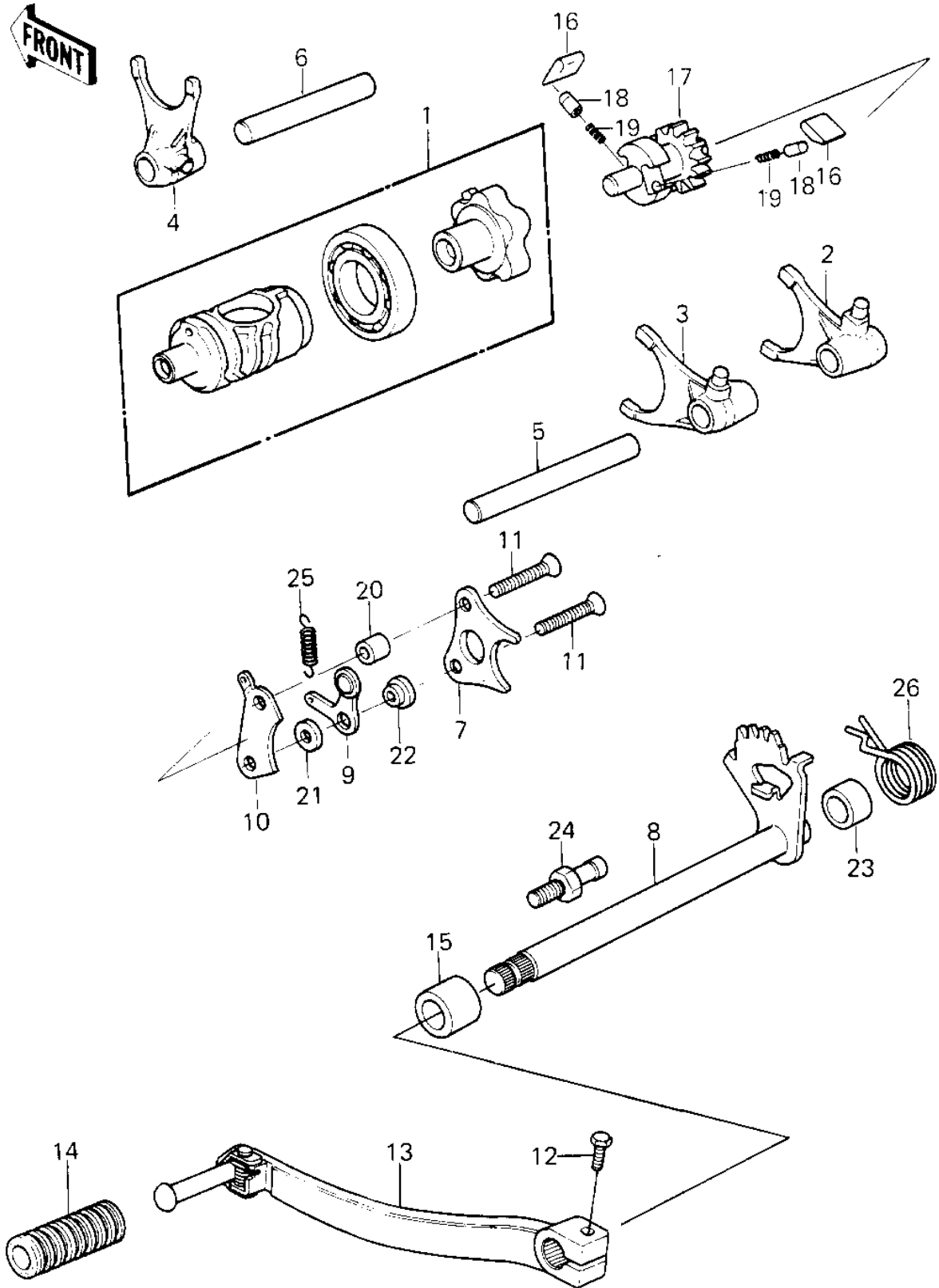


1981 KDX250 PARTS DIAGRAM

GEAR CHANGE MECHANISM (81KDX250-B1)



1981 KDX250 PARTS LIST

GEAR CHANGE MECHANISM ('81KDX250-B1)

ITEM NAME	PART NUMBER	QUANTITY
DRUM ASSY,GEAR CHANGE (Ref # 1)	13239-1038	1
FORK,SHIFT,LOW (Ref # 2)	13140-1052	1
FORK,SHIFT (Ref # 3)	13140-1043	1
FORK,SHIFT (Ref # 4)	13140-1101	1
ROD,SHIFT,10X90 (Ref # 5)	49047-1009	1
ROD,SHIFT,L=65M/M (Ref # 6)	49047-1011	1
GUIDE,RATCHET (Ref # 7)	13070-1049	1
LEVER ASSY,GEAR CHNGE (Ref # 8)	13161-1016	1
LEVER,CHANGE DRUM (Ref # 9)	13236-1021	1
PLATE,POSITIONING (Ref # 10)	14014-1013	1
SCREW,COUNTRSUNK,6X28 (Ref # 11)	221B0628	2
BOLT (Ref # 12)	110P0620	1
PEDAL,CHANGE (Ref # 13)	13242-1043	1
DAMPER (Ref # 14)	92075-1310	1
COLLAR,13.5X22X18 (Ref # 15)	92027-1274	1
PAWL,RATCHET (Ref # 16)	13165-1026	1
RATCHET,CHANGE DRUM (Ref # 17)	13216-1020	1
PIN (Ref # 18)	92043-1067	2
SPRING,RATCHET PAWL (Ref # 19)	92081-1201	2
COLLAR,RATCHET GUIDE (Ref # 20)	92027-1234	1
COLLAR,RATCHET GUIDE (Ref # 21)	92027-1235	1
COLLAR (Ref # 22)	92027-1248	1
COLLAR (Ref # 23)	92027-189	1
PIN,CHANGE PEDAL (Ref # 24)	92043-1055	1
SPRING-COIL (Ref # 25)	92081-077	1
SPRING,TENTION (Ref # 26)	92081-1129	1