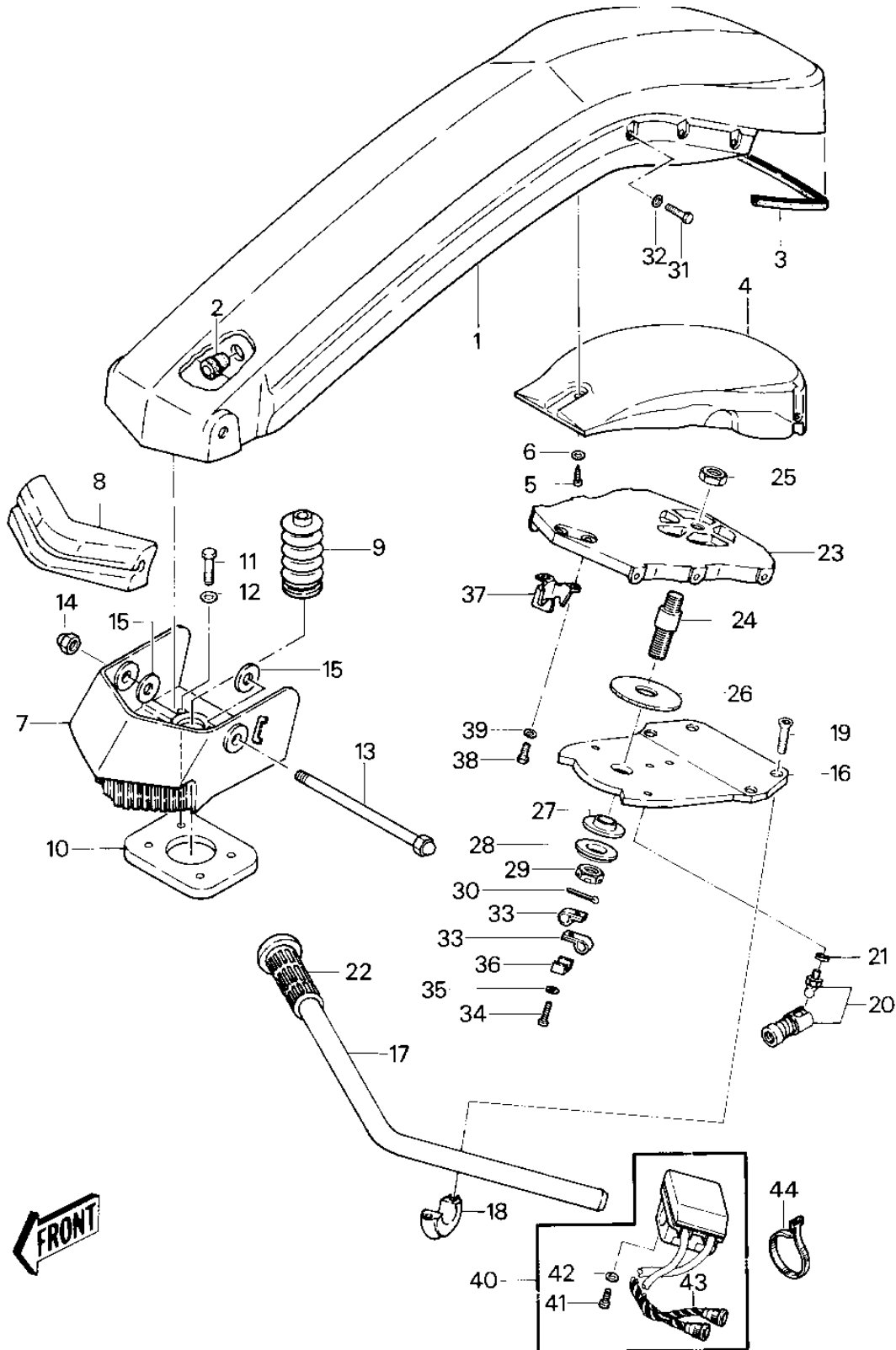


1984 JS550 PARTS DIAGRAM

HANDLE POLE/SWITCHES (JS550-A1/A2)



1984 JS550 PARTS LIST

HANDLE POLE/SWITCHES (JS550-A1/A2)

| ITEM NAME | PART NUMBER | QUANTITY |
|--------------------------------------|---------------|----------|
| POLE-HANDLE-PLAIN (Ref # 1) | 59166-3002-8C | 1 |
| GROMMET (Ref # 2) | 92071-530 | 1 |
| GROMMET (Ref # 3) | 92071-534 | 1 |
| GROMMET (Ref # 3) | 92071-534 | 1 |
| SCREW 0.16X0.5 (Ref # 5) | 92011-562 | 3 |
| WASHER (Ref # 6) | 92022-563 | 3 |
| BRACKET-HANDLE-POLE,S (Ref # 7) | 39021-3701-F2 | 1 |
| DAMPER (Ref # 8) | 92075-519 | 1 |
| COVER-STEERING CABLE (Ref # 9) | 59176-514 | 1 |
| UNAVAILABLE IN PRICE BOOK (Ref # 10) | | 1 |
| BOLT,8X30 (Ref # 11) | 92150-3721 | 4 |
| WASHER (Ref # 12) | 411S0800 | 4 |
| BOLT,14X183 (Ref # 13) | 92001-3018 | 1 |
| NUT 14M/M (Ref # 14) | 92015-507 | 1 |
| WASHER,O36XO15X4.5T (Ref # 15) | 92022-3024 | 2 |
| PLATE,HANDLEBAR (Ref # 16) | 13169-3004 | 1 |
| HANDLEBAR (Ref # 17) | 32032-3017 | 1 |
| CLAMP,HANDLE PIPE (Ref # 18) | 92037-503 | 2 |
| SCREW,CNTSNK HEAD8X22 (Ref # 19) | 92009-3004 | 4 |
| JOINT-BALL (Ref # 20) | 59266-3707 | 1 |
| WASHER-SPRING,6MM (Ref # 21) | 461S0600 | 1 |
| GRIP,HANDLE,RH (Ref # 22) | 46075-3704 | 2 |
| BRACKET,SUPPORT (Ref # 23) | 11046-3847 | 1 |
| STUD (Ref # 24) | 92004-3006 | 1 |
| NUT,16M/M (Ref # 25) | 92015-536 | 1 |
| BUSHING (Ref # 26) | 92028-512 | 1 |
| BUSHING (Ref # 27) | 92028-513 | 1 |
| WASHER (Ref # 28) | 92022-571 | 1 |
| NUT,CASTLE,18M/M (Ref # 29) | 92015-3006 | 1 |

1984 JS550 PARTS LIST

HANDLE POLE/SWITCHES (JS550-A1/A2)

| ITEM NAME | PART NUMBER | QUANTITY |
|--------------------------------|-------------|----------|
| PIN-COTTER,4X40 (Ref # 30) | 550S4040 | 1 |
| BOLT 6X16 (Ref # 31) | 110R0616 | 6 |
| WASHER (Ref # 32) | 411S0600 | 6 |
| CLAMP,LEAD WIRE (Ref # 33) | 92037-3007 | 2 |
| SCREW-PAN-CROS (Ref # 34) | 220R0516 | 1 |
| WASHER-SPRING,5MM (Ref # 35) | 461S0500 | 1 |
| WASHER,CLAMP (Ref # 36) | 92022-3014 | 1 |
| HOLDER,CABLE (Ref # 37) | 14044-3001 | 1 |
| BOLT 6X12 (Ref # 38) | 110R0612 | 2 |
| WASHER-SPRING,6MM (Ref # 39) | 461S0600 | 2 |
| SWITCH ASSY (Ref # 40) | 27004-3002 | 1 |
| SCREW,PAN HEAD,5X20 (Ref # 41) | 220R0520A | 4 |
| WASHER,PLAIN,5MM (Ref # 42) | 410S0500 | 4 |
| TUBE,SPIRAL (Ref # 43) | 92059-3010 | 2 |
| BAND,MIDDLE (Ref # 44) | 92072-031 | 1 |