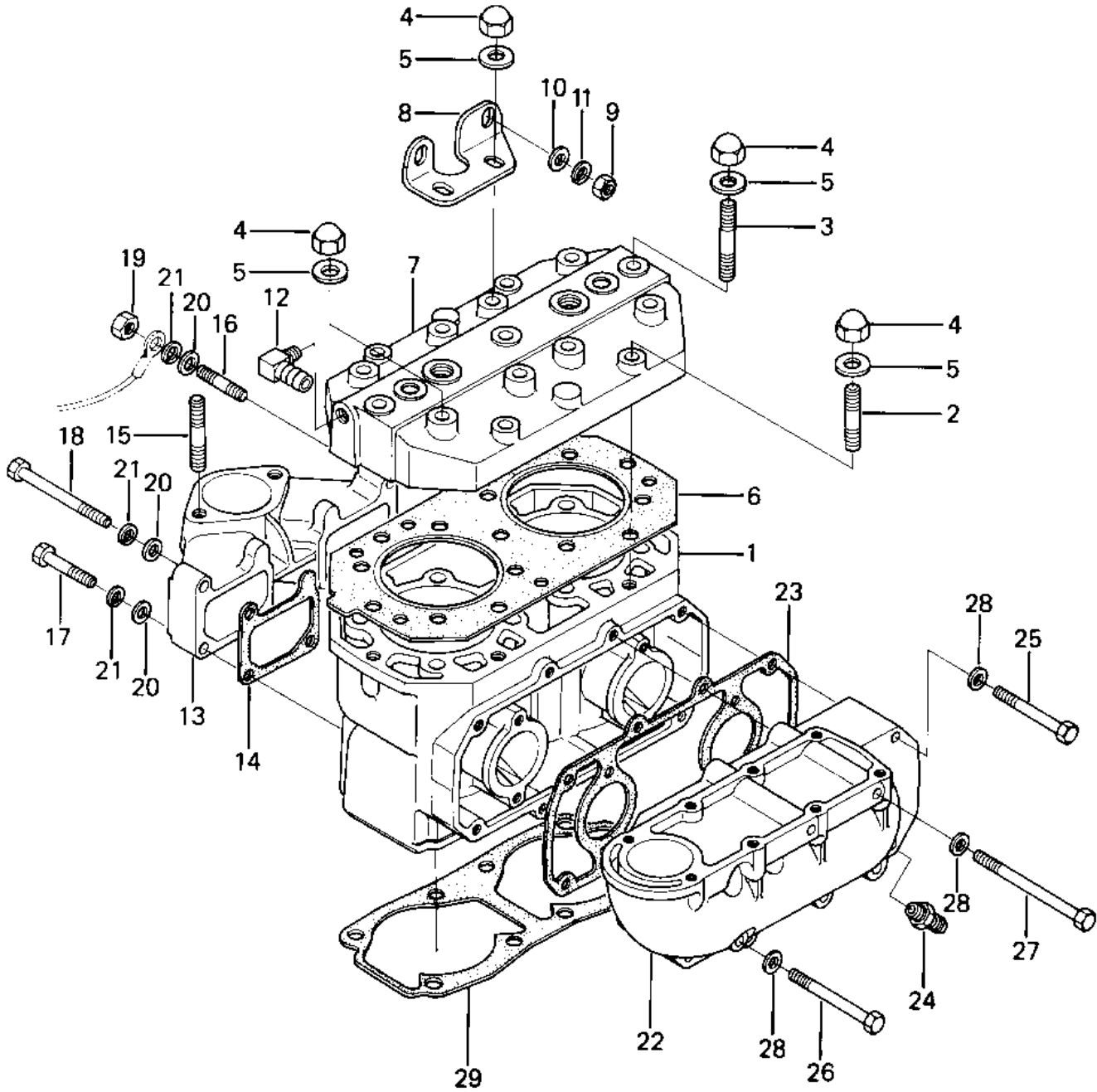


# 1982 JS550 PARTS DIAGRAM

CYLINDER HEAD/CYLINDER



# 1982 JS550 PARTS LIST

## CYLINDER HEAD/CYLINDER

| ITEM NAME                       | PART NUMBER   | QUANTITY |
|---------------------------------|---------------|----------|
| CYLINDER-ENGINE (Ref # 1)       | 11005-3030-YR | 1        |
| STUD,8X42 (Ref # 2)             | 92004-3016    | 4        |
| STUD,8X50 (Ref # 3)             | 92004-3017    | 3        |
| NUT-CAP,8MM (Ref # 4)           | 92015-3003    | 15       |
| WASHER (Ref # 5)                | 411S0800      | 15       |
| GASKET-HEAD (Ref # 6)           | 11004-3709    | 1        |
| HEAD-COMP-CYLINDER (Ref # 7)    | 11008-3004-YR | 1        |
| BRACKET,CARBURETOR (Ref # 8)    | 11034-3002    | 1        |
| NUT,6M/M (Ref # 9)              | 311R0600      | 2        |
| WASHER,PLAIN,6M/M (Ref # 10)    | 92022-3018    | 2        |
| WASHER-SPRING,6MM (Ref # 11)    | 461S0600      | 2        |
| ELBOW-WATER HOSE (Ref # 12)     | 52014-3002    | 1        |
| MANIFOLD-INTAKE (Ref # 13)      | 59076-505-YR  | 1        |
| GASKET,INTAKE (Ref # 14)        | 11009-3785    | 2        |
| STUD,8X35 (Ref # 15)            | 172R0835      | 2        |
| STUD,6X35 (Ref # 16)            | 171R0635      | 1        |
| BOLT 6X35 (Ref # 17)            | 110R0635      | 3        |
| BOLT,6X70 (Ref # 18)            | 110R0670      | 2        |
| NUT,6M/M (Ref # 19)             | 311R0600      | 1        |
| WASHER (Ref # 20)               | 410S0600      | 6        |
| WASHER-SPRING,6MM (Ref # 21)    | 461S0600      | 6        |
| MANIFOLD-EXHAUST (Ref # 22)     | 59081-3015-YR | 1        |
| GASKET,EXHAUST MANIF (Ref # 23) | 11009-3779    | 1        |
| JOINT,HOSE (Ref # 24)           | 92005-3001    | 1        |
| BOLT,6X50 (Ref # 25)            | 110R0650      | 5        |
| BOLT,6X70 (Ref # 26)            | 110R0670      | 5        |
| BOLT 6X90 (Ref # 27)            | 110R0690      | 2        |
| WASHER (Ref # 28)               | 410S0600      | 12       |
| GASKET,CYLINDER BASE (Ref # 29) | 11009-3782    | 1        |