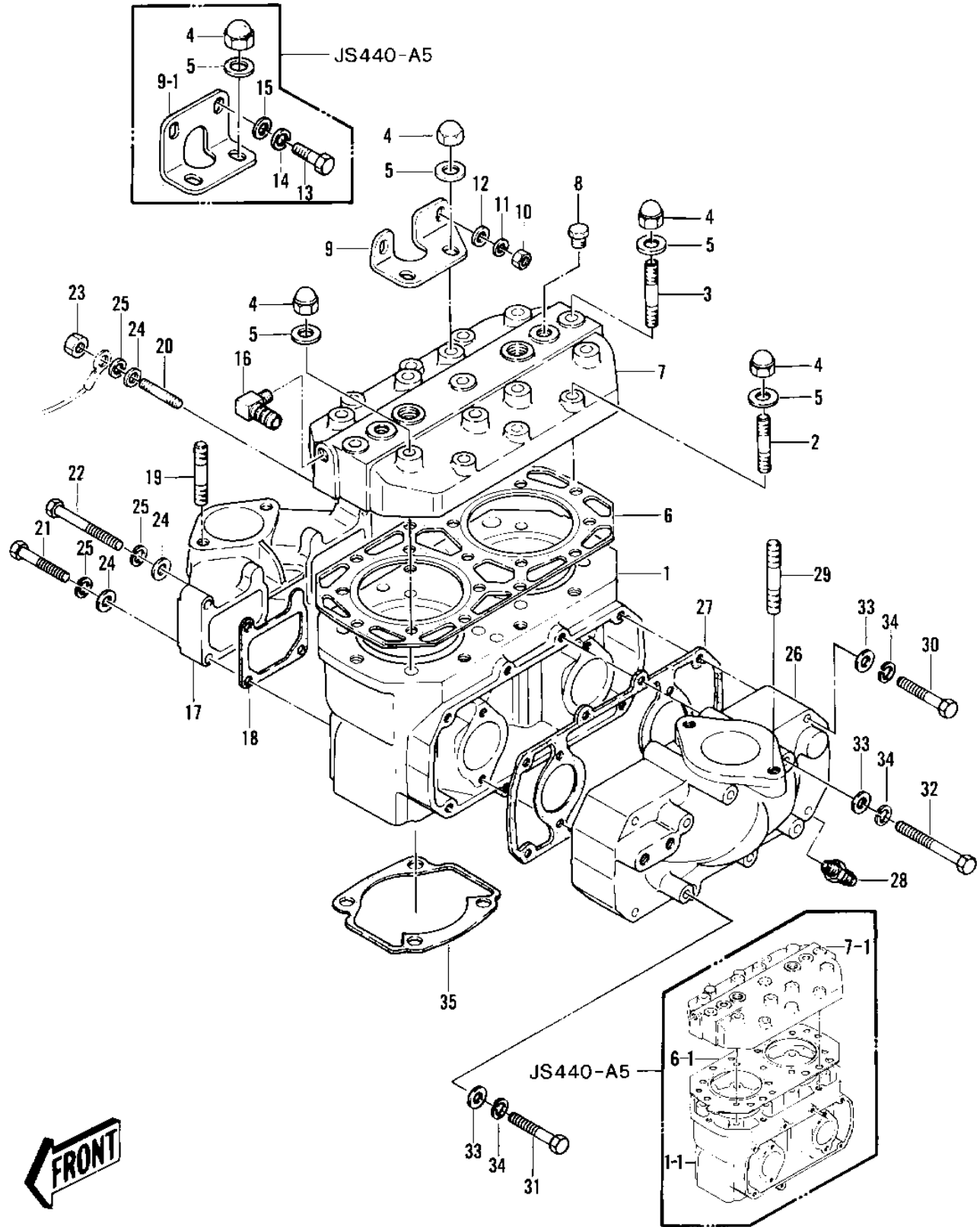


## 1981 JS440 PARTS DIAGRAM

CYLINDER HEAD/CYLINDER ('79-'81 A3/A4/A4)



## 1981 JS440 PARTS LIST

CYLINDER HEAD/CYLINDER ('79-'81 A3/A4/A4)

| ITEM NAME                            | PART NUMBER  | QUANTITY |
|--------------------------------------|--------------|----------|
| CYLINDER ASSY (Ref # 1)              | 11005-3033   | 1        |
| STUD,8X42 (Ref # 2)                  | 92004-3009   | 1        |
| STUD,8X50 (Ref # 3)                  | 92004-3010   | 1        |
| NUT-CAP,8MM (Ref # 4)                | 92015-3003   | 1        |
| WASHER (Ref # 5)                     | 411S0800     | 1        |
| GASKET-HEAD (Ref # 6)                | 11004-3711   | 1        |
| HEAD ASSY,CYLINDER (Ref # 7)         | 49086-3001   | 1        |
| PLUG,DRAIN (Ref # 8)                 | 92066-3001   | 1        |
| BRACKET,CARBURETOR (Ref # 9)         | 11034-3002   | 1        |
| NUT,6M/M (Ref # 10)                  | 311R0600     | 2        |
| WASHER-SPRING,6MM (Ref # 11)         | 461S0600     | 2        |
| WASHER,PLAIN,6M/M (Ref # 12)         | 92022-3018   | 1        |
| ELBOW-WATER HOSE (Ref # 16)          | 52014-3002   | 1        |
| MANIFOLD-INTAKE (Ref # 17)           | 59076-505-YR | 1        |
| GASKET,INTAKE (Ref # 18)             | 11009-3785   | 1        |
| STUD,8X35 (Ref # 19)                 | 172R0835     | 2        |
| STUD,6X35 (Ref # 20)                 | 172R0635     | 1        |
| BOLT 6X35 (Ref # 21)                 | 110R0635     | 1        |
| BOLT,6X70 (Ref # 22)                 | 110R0670     | 1        |
| WASHER (Ref # 24)                    | 410S0600     | 2        |
| MANIFOLD-EXHAUST (Ref # 26)          | 59081-504-YR | 1        |
| GASKET,EXHAUST MANIF (Ref # 27)      | 11009-3779   | 1        |
| JOINT,HOSE (Ref # 28)                | 92005-3001   | 1        |
| BOLT 6X55 (Ref # 30)                 | 110R0655     | 1        |
| BOLT 6X75 (Ref # 31)                 | 110R0675     | 1        |
| BOLT 6X90 (Ref # 32)                 | 110R0690     | 1        |
| UNAVAILABLE IN PRICE BOOK (Ref # 34) | 461D0600     | 1        |
| GASKET-CYLINDER (Ref # 35)           | 11009-505    | 1        |