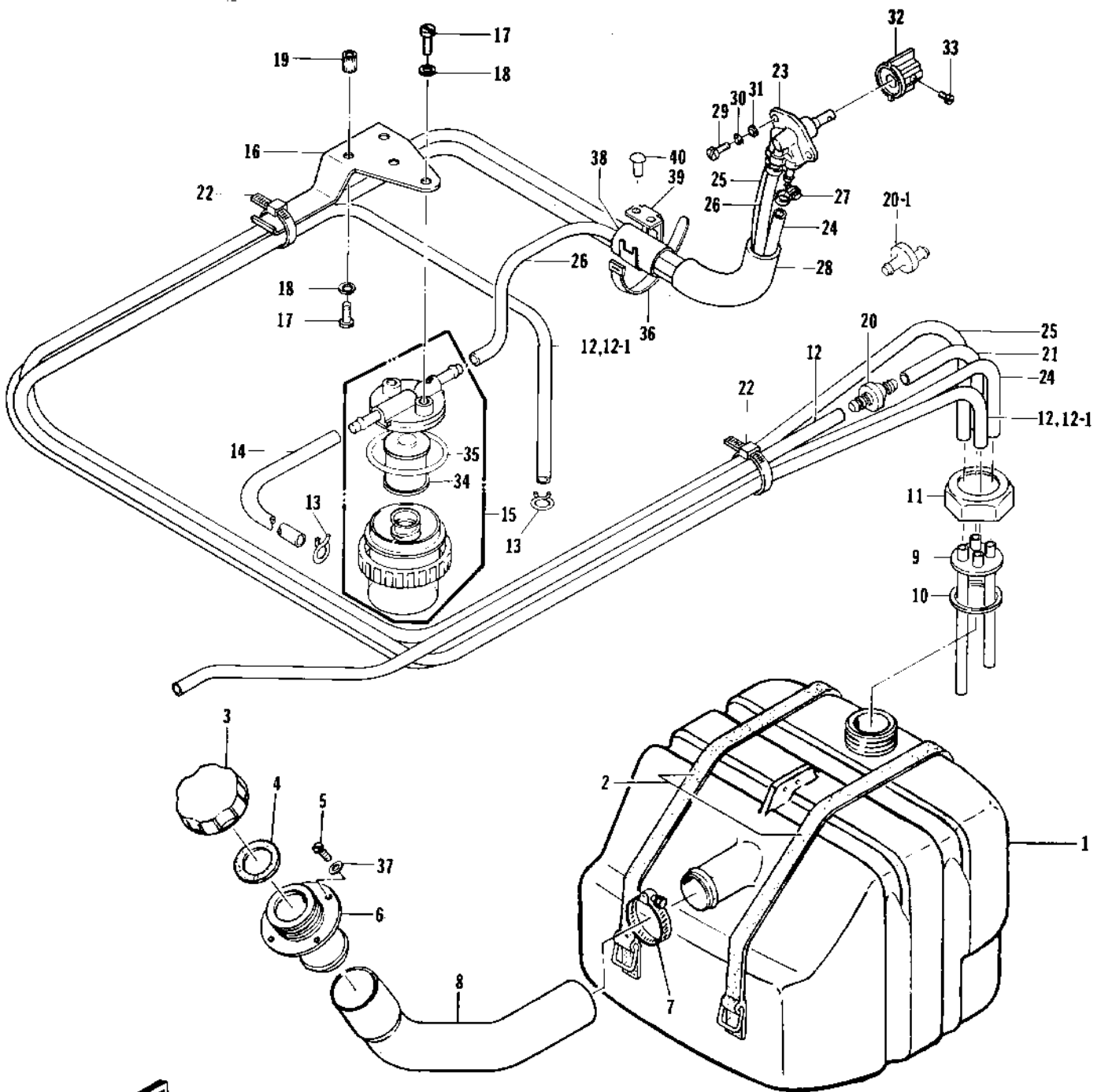


1978 JS440 PARTS DIAGRAM

FUEL TANK ('77-'78 A1/A1A/A2)



1978 JS440 PARTS LIST

FUEL TANK ('77-'78 A1/A1A/A2)

ITEM NAME	PART NUMBER	QUANTITY
TANK-FUEL (Ref # 1)	51004-3702	
BAND,FUEL TANK (Ref # 2)	92072-521	
CAP,FUEL TANK (Ref # 3)	51049-3001	
GASKET (Ref # 4)	92065-504	
SCREW 0.16X0.5 (Ref # 5)	92011-562	
FILLER,FUEL TANK (Ref # 6)	59231-3001	
FILLER,FUEL TANK (Ref # 6)	59231-3001	
CLAMP,HOSE (Ref # 7)	92037-506	
HOSE,FUEL INLET (Ref # 8)	92059-525	
OUTLET,FUEL (Ref # 9)	31064-3001	
GASKET (Ref # 10)	92065-504	
RETAINER (Ref # 11)	23072-501	
TUBE,FUEL,6X10X940 (Ref # 12)	92059-3025	
TUBE,6X10X760 (Ref # 12-1)	92059-3012	
CLAMP,SPARK PLUG CAP (Ref # 13)	92037-1173	
TUBE,6X380 (Ref # 14)	92059-546	
TUBE,6X10X200 (Ref # 14)	92059-3011	
FILTER,FUEL (Ref # 15)	59236-505	
FILTER-FUEL (Ref # 15)	49019-3701	
BRACKET,FUEL FILTER (Ref # 16)	11047-3743	
SCREW,PAN HEAD,6X12 (Ref # 17)	220R0612	
SCREW,PAN HEAD,6X12 (Ref # 17)	220R0612	
WASHER-SPRING,6MM (Ref # 18)	461S0600	
NUT-INSERT,6MM \$\$ (Ref # 19)	92015-533	
VALVE,RELIEF (Ref # 20)	49057-3001	
VALVE,RELIEF (Ref # 20-1)	49057-3001	
PIPE,FUEL (1) (Ref # 21)	92059-527	
TUBE,FUEL,5.8X12.2X55 (Ref # 21)	92059-3026	
BAND,SHORT (Ref # 22)	92072-030	

1978 JS440 PARTS LIST

FUEL TANK ('77-'78 A1/A1A/A2)

ITEM NAME	PART NUMBER	QUANTITY
TAP-ASSY,FUEL (Ref # 23)	51023-3705	
TUBE,6X1300 (Ref # 24)	92059-552	
TUBE,6X1300 (Ref # 24)	92059-552	
TUBE,6X1300,RESERVE (Ref # 25)	92059-553	
TUBE,6X1300,RESERVE (Ref # 25)	92059-553	
TUBE,6X750 (Ref # 26)	92059-554	
TUBE,6X10X960 (Ref # 26)	92059-3007	
CLAMP (Ref # 27)	92037-551	
CLAMP (Ref # 27)	92037-551	
TUBE,GUARD (Ref # 28)	92059-3008	
TUBE,GUARD (Ref # 28)	92059-3008	
BOLT,5X12 (Ref # 29)	110R0512A	
WASHER-SPRING,5MM (Ref # 30)	461S0500	
WASHER (Ref # 31)	411S0500	
KNOB,COCK (Ref # 32)	92077-503	
SCREW 4X8 (Ref # 33)	214R0408A	
SCREW-PAN-CROS (Ref # 33)	220R0408	
FILTER,FUEL ELEMENT (Ref # 34)	14043-5001	
"0" RING,FILTER BASE (Ref # 35)	92055-3006	
BAND,MIDDLE (Ref # 36)	92072-031	
WASHER (Ref # 37)	92022-563	
TUBE,VINYL,22X350 (Ref # 38)	92059-3018	
CLAMP,TUBE (Ref # 39)	92037-3005	
RIVET-FUEL LINE CLAMP (Ref # 40)	59281-505	