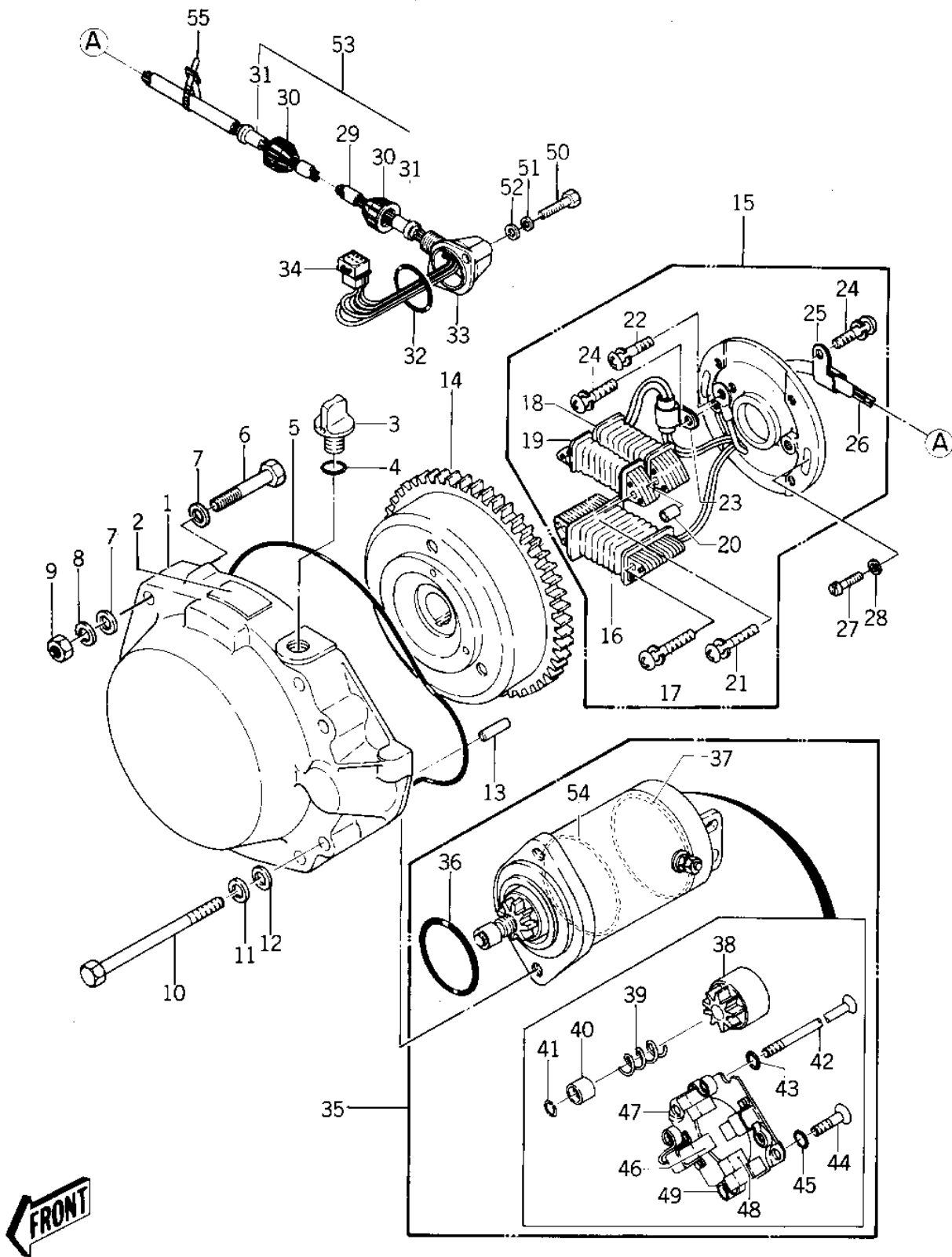


1978 JS440 PARTS DIAGRAM

GENERATOR/STARTER MOTOR ('77-'78 A1/A1A/)



1978 JS440 PARTS LIST

GENERATOR/STARTER MOTOR ('77-'78 A1/A1A/

ITEM NAME	PART NUMBER	QUANTITY
COVER-GENERATOR (Ref # 1)	14031-3705	
LABEL,HORSE POWER (Ref # 2)	56019-561	
BREATHER (Ref # 3)	14069-3709	
"O" RING (Ref # 4)	92055-515	
"O" RING (Ref # 5)	92055-521	
BOLT 8X50 (Ref # 6)	110R0850	
WASHER (Ref # 7)	410S0800	
WASHER SPRING 8MM (Ref # 8)	461S0800	
NUT 8MM (Ref # 9)	311R0800	
BOLT,8X80 (Ref # 10)	92001-3011	
BOLT,8X80 (Ref # 10)	92001-3011	
WASHER SPRING 8MM (Ref # 11)	461S0800	
WASHER (Ref # 12)	410S0800	
PIN,DOWEL (Ref # 13)	551R0612	
FLYWHEEL ASSY (Ref # 14)	21050-3005	
FLYWHEEL ASSY (Ref # 14)	21050-3005	
STATOR ASSY (Ref # 15)	21003-524	
COIL,CHARGE (Ref # 16)	59031-501	
SCREW 5X34 (Ref # 17)	92011-530	
COIL,EXCITING (Ref # 18)	21049-506	
COIL,PULSING (Ref # 19)	59026-504	
COLLAR,COIL (Ref # 20)	92027-509	
SCREW 5X40 (Ref # 21)	92011-533	
SCREW 4X6 (Ref # 22)	92011-559	
CLAMP (Ref # 23)	92037-520	
SCREW 4X8 (Ref # 24)	92011-560	
CLAMP (Ref # 25)	92037-547	
HARNESS,MAGNETO (Ref # 26)	26001-3006	
SCREW 5X20 (Ref # 27)	232B0520A	

1978 JS440 PARTS LIST

GENERATOR/STARTER MOTOR ('77-'78 A1/A1A/

ITEM NAME	PART NUMBER	QUANTITY
WASHER (Ref # 28)	92022-544	
CAP-ASSY (Ref # 29)	14075-3001	
TUBE,10X335 (Ref # 29)	92059-3019	
CAP-ASSY (Ref # 30)	14075-3001	
CAP (Ref # 30)	11012-3012	
CAP-ASSY (Ref # 31)	14075-3001	
GROMMET (Ref # 31)	92071-3001	
"O" RING (Ref # 32)	92055-520	
CAP-MAGNETO HARNESS (Ref # 33)	59176-517-YR	
CONNECTOR,CORD (Ref # 34)	59221-506	
STARTER-ELECTRIC (Ref # 35)	21163-3710	
STARTER-ELECTRIC (Ref # 35)	21163-3710	
STARTER-ELECTRIC (Ref # 35)	21163-3710	
"O" RING,65MM (Ref # 36)	671B2565	
"O" RING(4) (Ref # 37)	92055-517	
PINION ASSY (Ref # 38)	59051-505	
PINION ASSY-STARTER (Ref # 38)	59051-3005	
PINION ASSY-STARTER (Ref # 38)	59051-3005	
SPRING,RETURN (Ref # 39)	92081-541	
STOPPER,PINION (Ref # 40)	92027-513	
RING,SNAP (Ref # 41)	92036-517	
SCREW 6X107 (Ref # 42)	92011-549	
"O" RING,6M/M (Ref # 43)	670B1506	
SCREW 4X8 (Ref # 44)	92011-550	
'O'RING(1) (Ref # 45)	92055-519	
"O" RING,5MM (Ref # 45)	670B1505	
BRUSH(+) (Ref # 46)	21039-3003	
BRUSH(+) (Ref # 46)	21039-3003	
HOLDER ASSY,BRUSH (Ref # 47)	14079-3002	