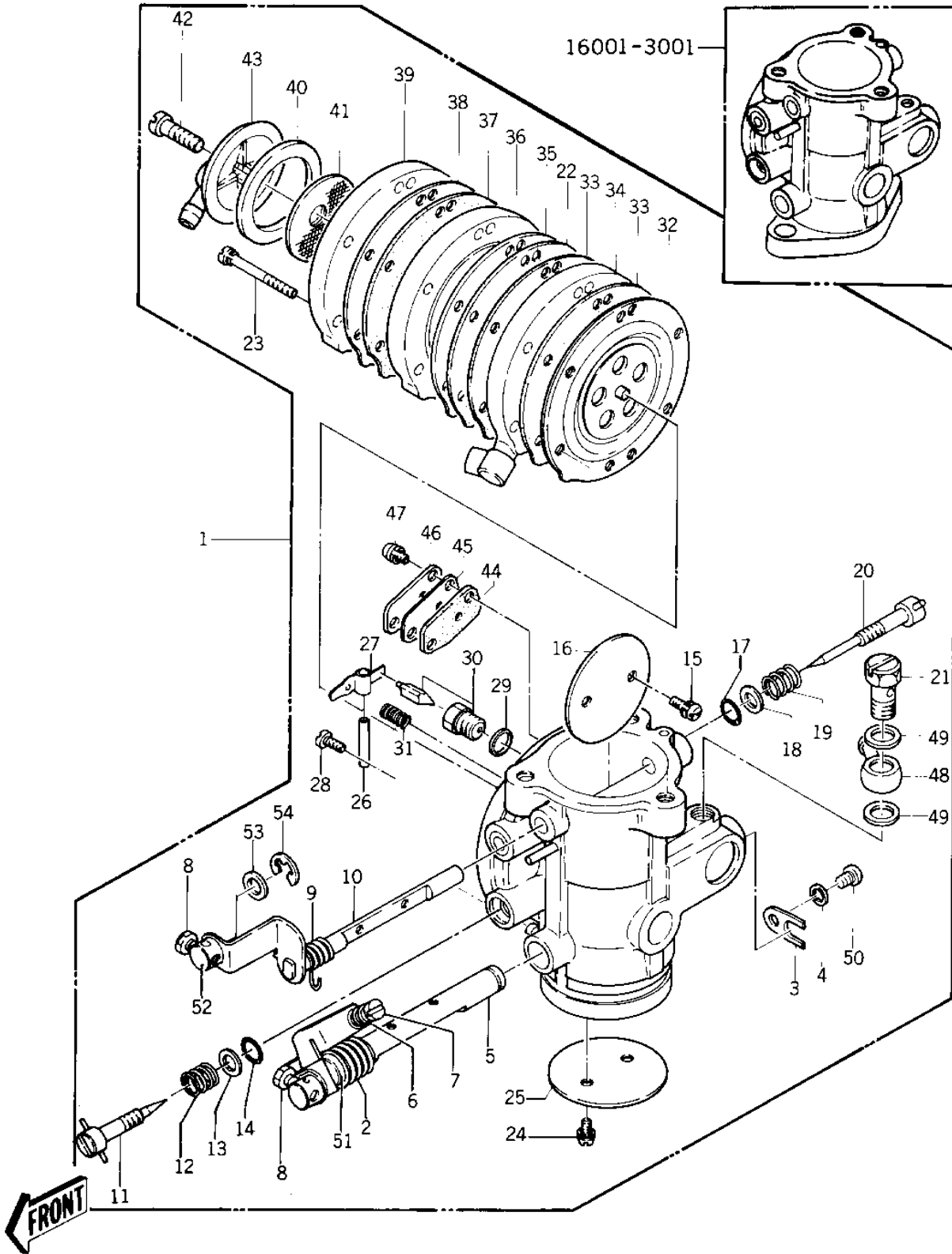


# 1978 JS440 PARTS DIAGRAM

CARBURETOR (77-78 A1/A1A/A2)



## 1978 JS440 PARTS LIST

CARBURETOR ('77-'78 A1/A1A/A2)

ITEM NAME	PART NUMBER	QUANTITY
CARBURETOR ASSY (Ref # 1)	16001-512	
CARBURETOR (Ref # 1)	16001-3003-YR	
SPRING,THROTTLE SHAFT (Ref # 2)	92081-547	
PLATE,THROTTLE SHAFT (Ref # 3)	59086-543	
WASHER SPRING 4MM (Ref # 4)	461F0400	
THROTTLE SHAFT ASSY (Ref # 5)	59111-520	
SPRING,CABLE PULLY (Ref # 6)	16040-022	
SCREW,4X20 (Ref # 7)	92009-3009	
BOLT,4X8 (Ref # 8)	92001-3026	
SPRING (Ref # 9)	92081-525	
CHOKE SHAFT ASS'Y (Ref # 10)	59111-513	
SCREW,LOW SPEED (Ref # 11)	59271-506	
SPRING (Ref # 12)	92081-528	
WASHER (Ref # 13)	92022-537	
"0" RING (Ref # 14)	92055-510	
SCREW 3X5 (Ref # 15)	92011-517	
VALVE,CHOKE (Ref # 16)	16126-3001	
"0" RING,DRAIN PLUG (Ref # 17)	92055-1093	
WASHER (Ref # 18)	92065-528	
SPRING (Ref # 19)	92081-534	
SCREW,HIGH SPEED (Ref # 20)	59271-507	
BOLT,BANJO (Ref # 21)	92003-521	
GASKET (Ref # 22)	11009-3036	
SCREW 4X30 (Ref # 23)	92011-515	
SCREW 3X7 (Ref # 24)	92011-516	
VALVE,THROTTLE (Ref # 25)	16025-503	
FLOAT PIN (Ref # 26)	16032-006	
ARM (Ref # 27)	59001-506	
SCREW 3X7 (Ref # 28)	92011-516	

# 1978 JS440 PARTS LIST

CARBURETOR ('77-'78 A1/A1A/A2)

ITEM NAME	PART NUMBER	QUANTITY
WASHER FLOAT VLV SEAT (Ref # 29)	16029-004	
VALVE-SEAT (Ref # 30)	16030-503	
SPRING (Ref # 31)	92081-536	
DIAPHRAGM,MAIN (Ref # 32)	51069-502	
GASKET (Ref # 33)	11060-3704	
BODY,DIAPHRAGM(1) (Ref # 34)	59021-514	
DIAPHRAGM,PUMP (Ref # 35)	43028-3002	
BODY,DIAPHRAGM(2) (Ref # 36)	59336-3002	
GASKET (Ref # 37)	11060-3705	
DIAPHRAGM,PUMP (Ref # 38)	43028-3001	
BODY,DIAPHRAGM(3) (Ref # 39)	59336-3003	
GASKET (Ref # 40)	92065-526	
FILTER (Ref # 41)	14037-504	
SCREW 4X12 (Ref # 42)	92011-510	
COVER-CARB. SIDE (Ref # 43)	59036-530	
GASKET (Ref # 44)	11060-3706	
DIAPHRAGM,CHECK SEAT (Ref # 45)	51069-501	
PLATE-CARB. SIDE (Ref # 46)	59086-541	
SCREW 3X7 (Ref # 47)	92011-516	
BANJO-CARB (Ref # 48)	59071-505	
GASKET-BANJO BOLT (Ref # 49)	92065-078	
SCREW PAN HEAD 4X6 (Ref # 50)	220B0406	
BUSHING,THRLE SHAFT (Ref # 51)	92028-514	
TERMINAL,CHOKE SHAFT (Ref # 52)	21169-3008	
WASHER,PLAIN,6NYLON (Ref # 53)	92022-3020	
CIRCLIP,5M/M,SUS304 (Ref # 54)	92033-3004	