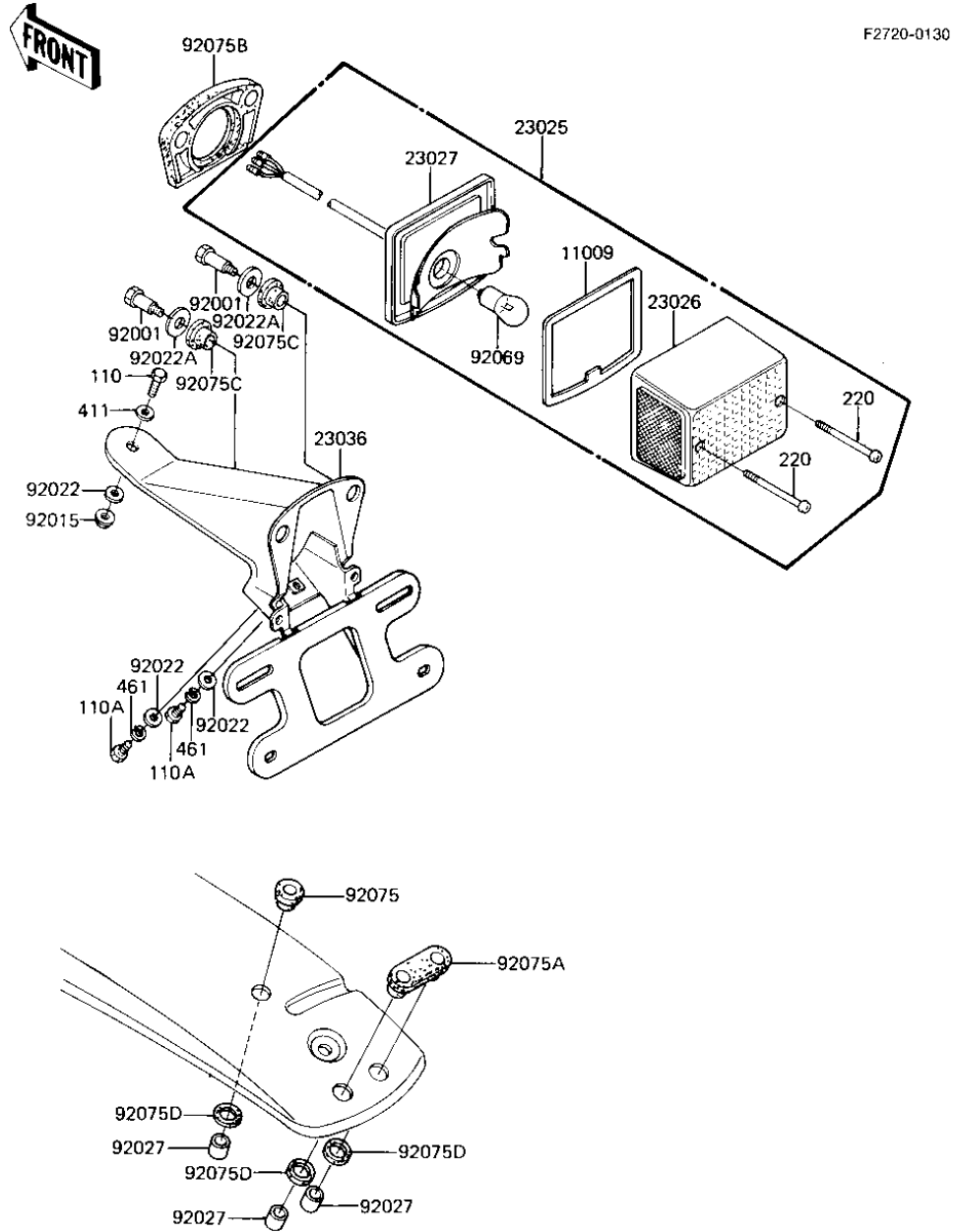


# 1982 KE175 PARTS DIAGRAM

TAILLIGHT ('82-'83 KE175-D4/D5)



# 1982 KE175 PARTS LIST

TAILLIGHT ('82-'83 KE175-D4/D5)

ITEM NAME	PART NUMBER	QUANTITY
GASKET,TAIL LAMP LENS (Ref # 11009)	11009-1078	1
LAMP-TAIL (Ref # 23025)	23025-1032	1
LENS,TAIL LAMP (Ref # 23026)	23026-1003	1
CASE,TAIL LAMP (Ref # 23027)	23027-1020	1
BRACKET,LICENSE PLATE (Ref # 23036)	23036-1010	1
BOLT,HEX HEAD (Ref # 92001)	92001-1118	2
NUT-6MM (Ref # 92015)	92015-1078	1
WASHER 6.5X20X1.6T (Ref # 92022)	92022-125	3
WASHER,8.5X20X1.6 (Ref # 92022A)	92022-1561	2
COLLAR 6.8X10X14.5 (Ref # 92027)	92027-156	3
BULB,60-32/3CP (Ref # 92069)	92069-074	1
DAMPER,TAIL LAMP (Ref # 92075)	92075-1004	1
DAMPER,TAIL LAMP (Ref # 92075A)	92075-1005	1
DAMPER RUBBER,TL LAMP (Ref # 92075B)	92075-1094	1
DAMPER RUBBER (Ref # 92075C)	92075-1095	2
DAMPER RUBBER,SIGNAL (Ref # 92075D)	92075-310	3
BOLT-UPSET (Ref # 110)	112G0630	1
BOLT-UPSET (Ref # 110A)	112G0630	2
SCREW-PAN-CROS,4X40 (Ref # 220)	220R0440	2
WASHER PLAIN 6MM (Ref # 411)	411B0600	1
WASHER SPRING 6MM (Ref # 461)	461F0600	2